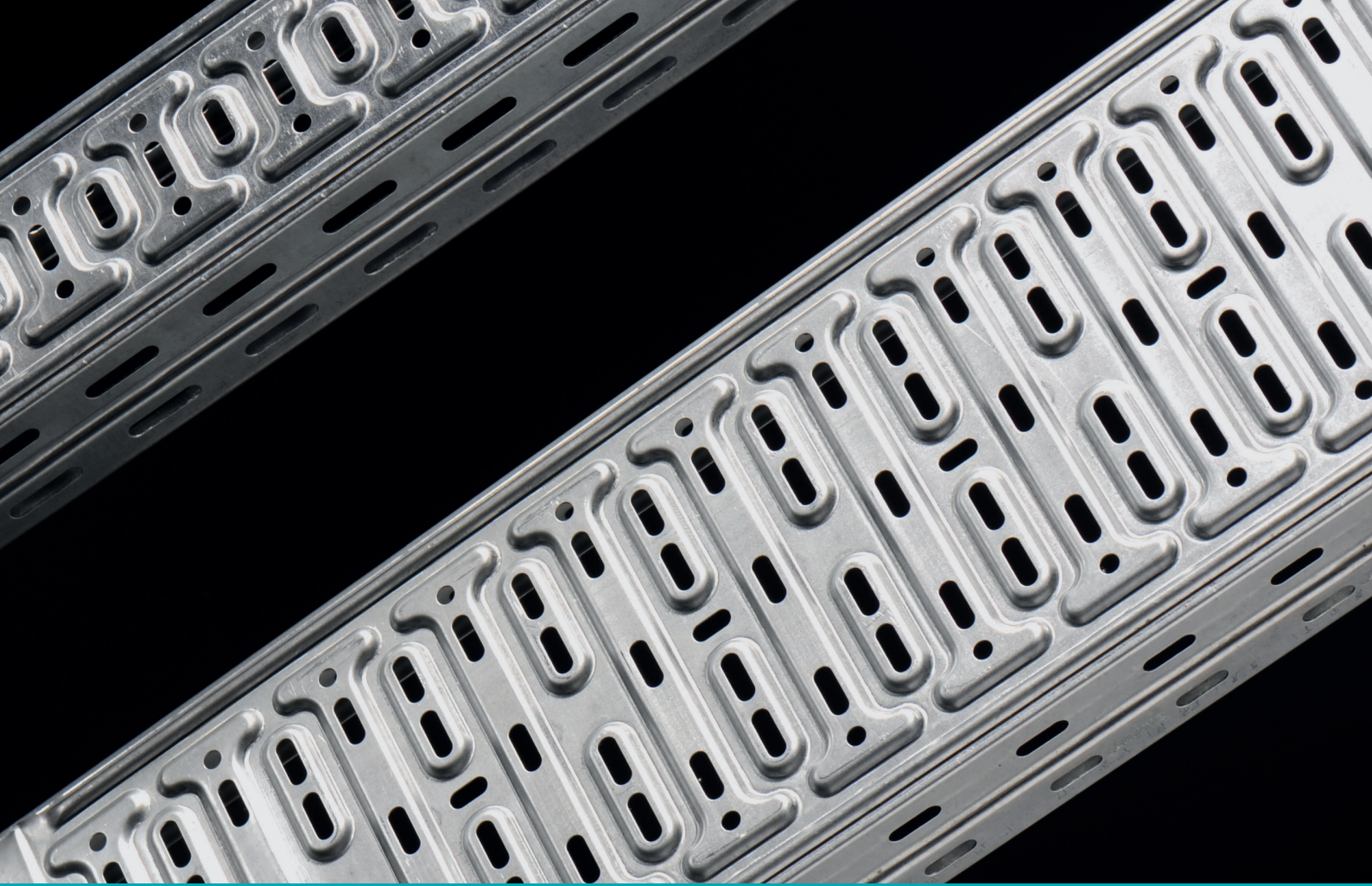


PRODUCT CATALOGUE
PRODUKTKATALOG

INNOVATRAY®



www.kiracmetal.com



**CABLE MANAGEMENT
SOLUTIONS**

KABELTRAGSYSTEME



www.kiracmetal.com

INNOVATRAY®



CABLE MANAGEMENT SOLUTIONS
KABELTRAGSYSTEME

Factory
Hauptsitz



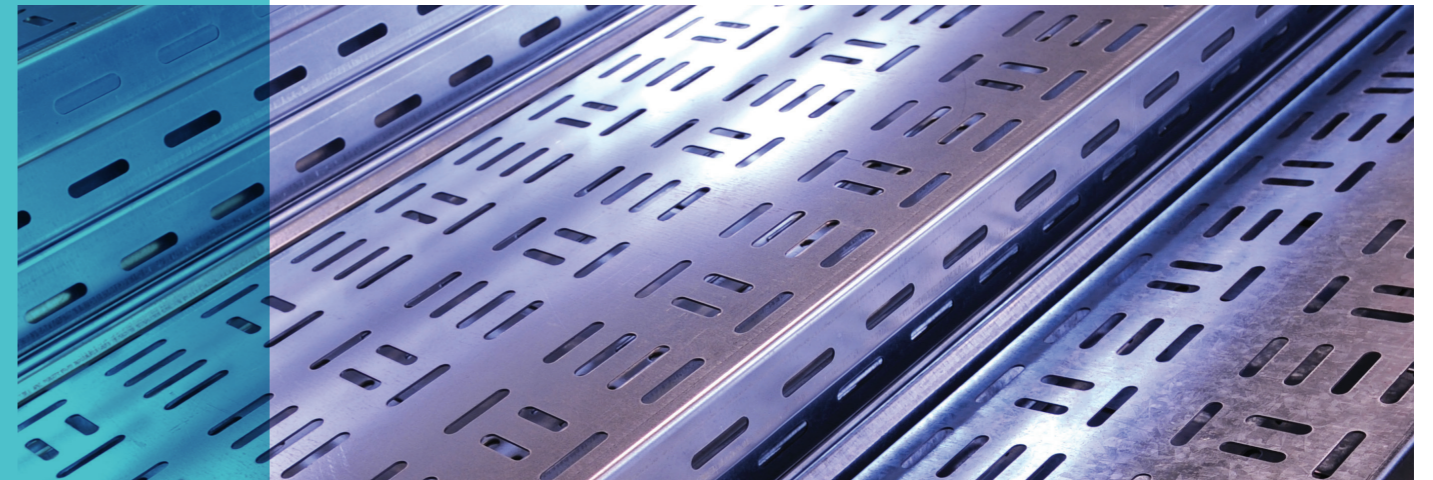
Painting
Lackiererei



Warehouse
Lager



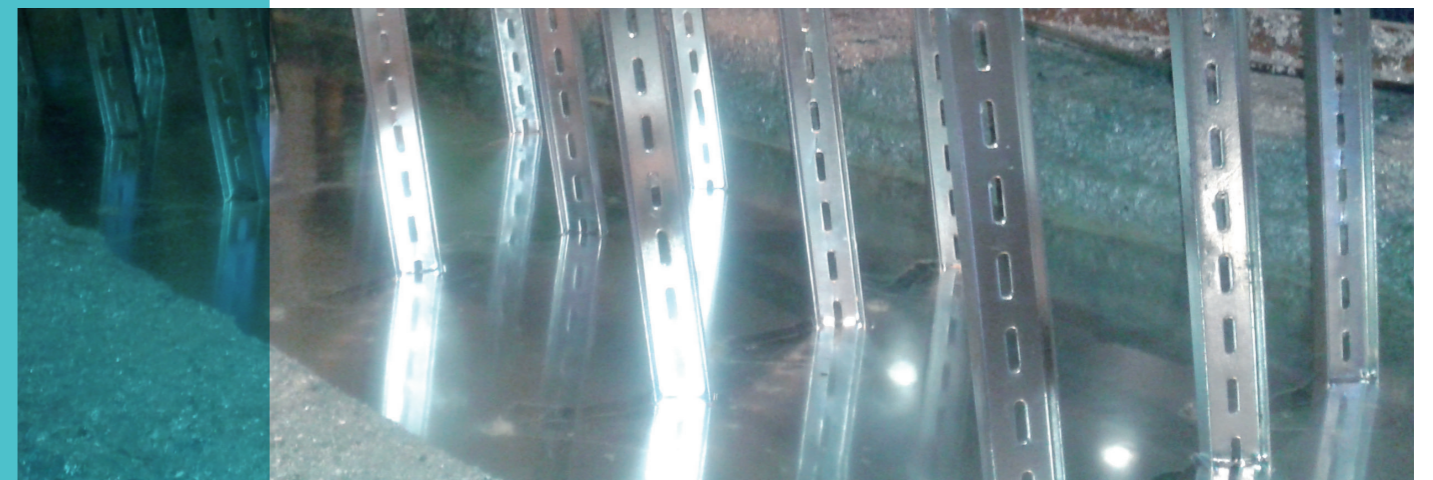
Production
Produktion



Quality
Qualität



Galvanizing
Verzinkerei



Established in 2002, Kiraç Metal Co. Ltd. has become a most respected global manufacturer for both cable management systems and high quality low voltage enclosures. The company has its headquarters and primary production unit in Eskişehir (Turkey), galvanization plant in Bursa (Turkey) and another production unit in Doha (Qatar). Kiraç Metal's wide range of products include: cable trays, cable ladders, trunkings, mounting systems, low voltage enclosures and IT rack cabinets.

Our Cable Management Systems are in compliance with DIN EN 61537:2007. Our products can be provided pre-galvanized according to DIN EN 10346 or hot-dip galvanized according to DIN EN ISO 1461. The following finishes are also available on a range of products; stainless steel according to DIN EN 10088 and electrostatic powder coated according to DIN EN ISO 12944-1. The fasteners are supplied as electroplated according to DIN EN ISO 4042 or zinc flake coated according to DIN EN ISO 10683.

For Further Information visit our web page www.kiracmetal.com or contact our sales team.

Das Unternehmen Kiraç Metal Co Ltd. hat sich seit seiner Gründung 2002 zu einem bedeutenden internationalen Hersteller von Kabeltragsystemen und Niederspannungsgehäusen entwickelt. Die Firma, deren Hauptsitz und Hauptproduktionsstandort sich in Eskişehir (Türkei) befindet, besitzt ebenfalls eine Verzinkungsanlage in Bursa und eine zusätzliche Produktionsanlage in Doha (Katar). In der breiten Produktpalette des Unternehmens befinden sich u. a. Kabelrinnen, Kabelleitern und ungelochte Kabelrinnen, Montagesysteme, Niederspannungsgehäuse und Netzwerkschränke.

Unsere Kabeltragsysteme entsprechen DIN EN 61537:2007. Unsere Produkte werden entweder aus verzinktem Bandstahl entsprechend DIN EN 10346 oder nach DIN EN 1461 feuerverzinkt gefertigt. Die folgenden Oberflächenveredelungen und Materialien sind ebenfalls erhältlich: Edelstahl nach DIN EN 10088 und elektrostatische Pulverbeschichtung nach DIN EN ISO 12944-1. Die Schrauben, Muttern und Unterlegscheiben sind elektroplattiert nach DIN EN ISO 4042 oder mit Zinklamellenüberzug nach DIN EN ISO 10683.

Für weitere Informationen besuchen Sie unsere Web-Site www.kiracmetal.com oder nehmen Sie Kontakt mit unserem Vertriebspersonal auf.

References

The best reference for us is the satisfaction of our customers.

We offer a wide range of cable trays, which are widely used as a support for power and control cables in both indoor and outdoor applications. For special projects, we manufacture as per our customers specifications. With our highly flexible production capabilities, we are able to deliver the right solutions for our customers in many large international projects.

Project: Barzan Onshore Project
Location: Doha, Qatar
Year: 2013
Scope of Products: HDG + Marine Painted Cable Ladders & Cable Trays

Project: New South Glasgow Hospital Project
Location: Glasgow, Scotland
Year: 2013
Scope of Products: Cable Trunking & Cable Trays

Project: Next Level Shopping Mall & Residence
Location: Ankara - Turkey
Year: 2012
Scope of Products: Cable Trays & Accessories

Project: Orly Airport
Location: Paris, France
Year: 2009
Scope of Products: Metal Fittings

Project: Pearl Project
Location: Doha, Qatar
Year: 2010
Scope of Products: Electrostatic Powder Painted Cable Trays

Project: Asian Olympics Stadium Project
Location: Ashgabad, Turkmenistan
Year: 2013
Scope of Products: Cable Trays & Accessories

This is only a limited list of our references. To find out more, please contact us at metal@kiracmetal.com

Referenzen

Die beste Referenz ist für uns immer die Zufriedenheit unserer Kunden.

Wir bieten unseren Kunden eine breite Palette von Kabeltragsystemen, die überall zum Einsatz kommen, wo Energie- und Datenkabel im Innen- oder Außenbereich verlegt werden müssen. Bei besonderen Projekten können wir selbstverständlich auf alle Kundenwünsche reagieren. Durch unsere sehr flexiblen Produktionsmöglichkeiten konnten wir unseren Kunden in vielen großen internationalen Projekten die passenden Lösungen liefern.

Projekt: Barzan Onshore Projekt
Standort: Doha, Qatar
Jahr: 2013
Eingesetzte Produkte: Kabelleitern und Kabelrinnen, feuerverzinkt und zusätzlich mit wasserfestem Spezialüberzug

Projekt: Neu South Glasgow Krankenhaus
Standort: Glasgow, Schottland
Jahr: 2013
Eingesetzte Produkte: Kabelrinnen und ungelochte Kabelrinnen

Projekt: Next Level Shopping Mall & Residence
Standort: Ankara, Türkei
Jahr: 2012
Eingesetzte Produkte: Kabelrinnen und Zubehör

Projekt: Flughafen Orly
Standort: Paris, Frankreich
Jahr: 2009
Eingesetzte Produkte: Zubehör

Projekt: Pearl Projekt
Standort: Doha, Qatar
Jahr: 2010
Eingesetzte Produkte: Kabelrinnen, pulverbeschichtet

Projekt: Asian Olympics Stadium Project
Standort: Ashgabad, Turkmenistan
Jahr: 2013
Eingesetzte Produkte: Kabeltragsysteme und Zubehör

Die obenstehende Liste ist nur ein kleiner Ausschnitt aus unserer umfangreichen Referenzliste. Gerne informieren wir Sie über weitere Projekte: metal@kiracmetal.com



Project: Barzan Onshore Project / Projekt: Barzan Onshore Projekt



Project: Pearl Project / Projekt: Pearl Projekt



Project: Barzan Onshore Project / Projekt: Barzan Onshore Projekt



Project: Orly Airport / Projekt: Flughafen Orly



Project: New South Glasgow Hospital Project / Projekt: Neu South Glasgow Krankenhaus Projekt



Project: Next Level Shopping Mall & Residence / Projekt: Next Level Shopping Mall & Residence



Project: Asian Olympics Stadium Project / Projekt: Asian Olympics Stadium Projekt



QUALITY MANAGEMENT SYSTEM

Our Quality Assurance System is approved according to ISO 9001 : 2008, confirming our compliance with all demands. The cable tray system conforms with DIN EN 61537: 2007 (Cable Tray Systems & Cable Ladder Systems for Cable Management).

QUALITÄTSMANAGEMENT

Unser Qualitätsmanagementsystem erfüllt die Anforderungen von ISO 9001:2008 bei allen entsprechend der Norm durchgeführten Audits. Die Kabeltragsysteme erfüllen die Anforderungen nach DIN EN 61537: 2007.



REFERENCE STANDARDS

The following is a list of all standards related to the cable management systems covered by this catalogue.

NORMEN

Nachfolgend werden die für diesen Katalog relevanten Normen aufgelistet.

ISO 9001	Quality Management Systems Requirements / Qualitätsmanagementsysteme-Anforderungen
DIN EN 61537	Cable tray systems and cable ladder systems for cable management / Material, Korrosionsfestigkeit, Verlegeart von Kabeltragsystemen
DIN EN ISO 1461	Hot dip galvanized coatings on fabricated iron and steel articles - Specifications and test methods / Beschreibung und Prüfmethode für Zinkbeschichtung
DIN EN 10346	Continuously hot-dip coated steel flat products - Technical delivery conditions / Bandverzinkung
DIN EN 10088-2	Stainless steels - Technical delivery conditions / Beschreibung von nichtrostenden Stählen
DIN EN ISO 4042	Fasteners - Electroplated coatings / Galvanische Überzüge Verbindungselemente
DIN EN 50085	Cable trunking systems and cable ducting systems for electrical installations / Europeanorm für Installationssysteme
DIN EN ISO 12944	Paints and varnishes / Korrosivitätskategorien
DIN ISO 2768	General tolerances / Masstoleranzen

REFERENCE STANDARDS

The following directives apply to the cable management systems:

NORMEN

Die folgenden Richtlinien finden auf die Kabeltragsysteme Anwendung:

RoHS DIRECTIVE

The 2011/65/CE Directive (Restriction of the Use of Certain Hazardous Substances in Electrical and Electronic Equipment), referred to as RoHS, aims to restrict the use of the six following hazardous substances: lead, mercury, cadmium, hexavalent chromium, polybrominated biphenyls (PBB) and polybrominated diphenyl ethers (PBDE). Kiraç Metal products contain none of the substances targeted by this directive.

RoHS RICHTLINIE

In der Empfehlung 2011/65/CE (Restriction of the Use of Certain Hazardous Substances in Electrical and Electronic Equipment = RoHS) werden die folgenden Substanzen als schädlich und damit nicht für den Gebrauch ausgewiesen: Blei, Quecksilber, Kadmium, Chrom6, Polybromatbiphenyl (PBB) und Polybromatdipheylester (PBDE). Die Produkte der Firma Kiraç Co. Ltd sind frei von diesen Substanzen.

CE MARKING DIRECTIVE

Directive 93/68/CEE, known as the "CE Marking" Directive, modifies the Low Voltage Directive for issues concerning the conformance evaluation and marking procedures.

The standard DIN EN 61537 is the "product" standard defining the requirements and test methods for cable tray and cable ladder systems. Being the only standard harmonized at European level, it is the reference when marking CE on the products, as requested in the LVD.

LVD DIRECTIVE

The low voltage directive (LVD) 2006/95/EC harmonizes the legislation of member countries and covers consumer and capital goods intended for use within the following voltage limits:

- 50 to 1000 Volt AC.
- 75 to 1500 Volt DC.

CE-RICHTLINIE

Die Richtlinie 93/68/CEE, auch bekannt als CE-Richtlinie, ergänzt die Niederspannungsrichtlinie um die Konformitätsvoraussetzungen und die Kennzeichnungspflicht.

IEC 61537 bezieht sich als einzige Norm auf die Anforderungen und die Prüfmethode von Kabeltragsystemen. Damit dient diese Norm als Grundlage der Konformitätsprüfung für das CE-Zeichen wie in der Niederspannungsrichtlinie gefordert.

NIEDERSPANNUNGSRICHTLINIE

Die Niederspannungsrichtlinie (Low Voltage Directive = LVD) 2006/95/EC harmonisiert die Gesetzgebung der Mitgliedsstaaten für Konsum- und Anlagegüter, die in den folgenden Spannungsbereichen eingesetzt werden:

- 50 bis 1000 Volt Wechselstrom
- 75 bis 1500 Volt Gleichstrom

AVAILABLE FINISHES

All our products are available in the following finishes:

KORROSIONSSCHUTZ

Unsere Produkte sind in den folgenden Oberflächen bzw. Materialien erhältlich:

PRE-GALVANIZED	GALVANISCH VERZINKT
Pre-galvanized products are produced according to DIN EN 10346 norms. These products are recommended for indoor environment.	Produkte aus galvanisch verzinktem Material nach DIN EN 10346 werden für den Gebrauch in geschlossenen Räumen empfohlen.
STAINLESS STEEL As stainless steel trays are resistant to dyestuffs, organic chemicals, and inorganic chemicals at elevated temperatures, they are mostly used in the harshest of environments. Our stainless steel cable trays are roll-formed from AISI Type 304 and 316 stainless steel according to DIN EN 10088.	EDELSTAHL Kabeltragsysteme aus korrosionsbeständigen Stählen sind resistent gegen Farbstoffe, organische und anorganische Chemikalien bei hohen Temperaturen und werden bei ungünstigen Bedingungen eingesetzt. Unsere Kabeltragsysteme sind aus korrosionsbeständigen Stählen nach AISI Type 304 und 316 bzw. DIN EN 10088 gefertigt.
HOT-DIP GALVANIZED Hot dip galvanized after process cable trays are manufactured according to DIN EN 1461. These products provide high resistance to corrosion that's why they are mostly suitable for both indoor and outdoor applications.	FEUERVERZINKT Feuerverzinkte Kabeltragsysteme nach DIN EN ISO 1461 bieten einen hohen Korrosionsschutz und sind für Innen- und Außenanwendungen geeignet.
POWDER COATED The powder coated finishes according to DIN EN ISO 12944 are very tough and durable that's why they provide relatively high corrosion protection. Special paint coatings are available on request.	PULVERBESCHICHTET Pulverbeschichtete Oberflächen nach DIN EN ISO 12944 sind sehr widerstandsfähig und bieten hohen Korrosionsschutz. Spezialbeschichtungen sind auf Anfrage erhältlich

For more details please see "Material and Finish"

Weitere Angaben finden Sie bei "Material & Oberflächen"

CERTIFICATE No. : 0126/IN-IST-12
IS1250-0112/AOO/AKC



SGS

EC-ATTESTATION CERTIFICATE OF LVD

Date/Place of Issue : 01.02.2012 / ISTANBUL
Name of Applicant : KIRAC METAL ÜRÜNLERİ SAN. VE TIC. A.Ş.
Address of Applicant : Organize Sanayi Bölgesi Şehitler Bulvarı No:21 Eskişehir /Turkey
Name of Manufacturer : KIRAC METAL ÜRÜNLERİ SAN. VE TIC. A.Ş.
Address of Manufacturer : Organize Sanayi Bölgesi Şehitler Bulvarı No:21 Eskişehir /Turkey
Description of Product : PANEL
 (Empty Enclosures For Low Voltage Switchgear and Controlgear Assemblies)
Model(s) : # WALL TYPE PANELS (K01-S-1-XXXXXX / IP 65 / IK 10) #
 # CONTROL PANELS (K03-X-XXXXXX / IP 65 / IK 10) #
 # MODULER PANELS (K04-X-XXXXXX / IP 65 / IK 10) #
Assessment Performed : Conformity to Annex I's Applicable Paragraphs of 2006/95/EC Low Voltage Directive
Standard(s) : # EN 62208:2003 (BS EN 62208:2003 / DIN EN 62208) #
TCF Reference No. : TCF-120117-051
Assessor ID No. : TR-IND-S14
Date/Place of Assessment : 13.01.2012 / Eskişehir - Türkiye

Test reports in technical file TCF-120117-051 and referenced against job file IS1250-0112 are reviewed and found to be acceptable. The certificate is valid as long as the relevant directives and harmonised standards written above are current.

The CE mark as shown below can be used, under the responsibility of the manufacturer, after completion of an EC Declaration of Conformity and compliance with all relevant EC Directives.



This certificate is issued by the Company subject to its General Conditions of Service available upon request and accessible at www.sgs.com. Attention is drawn to the limitations of liability, indemnification, jurisdictional, representative restrictions of test samples and sample retention policies defined therein.

This certificate refers only to the sample submitted to SGS Supervise Gözetme Etüd Kontrol Servisleri A.Ş. for testing and certification. This certificate shall not be reproduced except in full without the written approval of SGS Supervise Gözetme Etüd Kontrol Servisleri A.Ş..

For and on behalf of
SGS Supervise Gözetme Etüd
Kontrol Servisleri A.Ş.

Ali Osman ÖZVEKİL Ahmet Kürşad Çanakçı
Page 1 of 1 F150201M

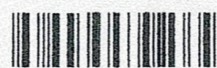
SGS Supervise Gözetme Etüd Kontrol Servisleri A.Ş.
Abide-i Hürriyet Cad. Geçit Sokak
NO:4 K:1-2-3-4 34381 Şişli İstanbul- TURKEY
t: 90.212.3684000 (Pbx)
f: 90.212.2964782-83
e: sgs_turkey@sgs.com

S-IND-F-32/ Rev:4

This document is issued, on the Client's behalf, by the Company under its General Conditions of Service printed overleaf. The Client's attention is drawn to the limitation of liability, indemnification and jurisdiction issues defined therein.

Any other holder of this document is advised that information contained hereon reflects the Company's findings at the time of its intervention only and within the limits of Clients instructions, if any. The Company's sole responsibility is to its Client and this document does not exonerate parties to a transaction from exercising all their rights and obligations under the transaction documents.

SGSPAPER
11898339



CERTIFICATE No. : 0105/IN-IST-12
IS1250-0045/AOO/AKC



SGS

EC-ATTESTATION CERTIFICATE OF LVD

Date/Place of Issue : 18.01.2012 / ISTANBUL
Name of Applicant : KIRAC METAL ÜRÜNLERİ SAN. VE TIC. A.Ş.
Address of Applicant : Organize Sanayi Bölgesi Şehitler Bulvarı No:21 Eskişehir /Turkey
Name of Manufacturer : KIRAC METAL ÜRÜNLERİ SAN. VE TIC. A.Ş.
Address of Manufacturer : Organize Sanayi Bölgesi Şehitler Bulvarı No:21 Eskişehir /Turkey
Description of Product : CABLE TRAY SYSTEMS AND CABLE LADDER SYSTEMS
Model(s) : # KRCxxxNxxxxK; KRCxxxAxxxxK; KRCxxxGxxxxK #
 # KRCxxxMKxxxxK; KRCxxxDOxxxxK #
Assessment Performed : Conformity to Annex I's Applicable Paragraphs of 2006/95/EC Low Voltage Directive
Standard(s) : # BS EN 61537:2007 #
TCF Reference No. : MD-TCF-110106-387
Assessor ID No. : TR-IND-S14
Date/Place of Assessment : 13.01.2012 / Eskişehir - Türkiye

Test reports in technical file MD-TCF-110106-387 and referenced against job file IS1250-0045 are reviewed and found to be acceptable. The certificate is valid as long as the relevant directives and harmonised standards written above are current.

The CE mark as shown below can be used, under the responsibility of the manufacturer, after completion of an EC Declaration of Conformity and compliance with all relevant EC Directives.



This certificate is issued by the Company subject to its General Conditions of Service available upon request and accessible at www.sgs.com. Attention is drawn to the limitations of liability, indemnification, jurisdictional, representative restrictions of test samples and sample retention policies defined therein.

This certificate refers only to the sample submitted to SGS Supervise Gözetme Etüd Kontrol Servisleri A.Ş. for testing and certification. This certificate shall not be reproduced except in full without the written approval of SGS Supervise Gözetme Etüd Kontrol Servisleri A.Ş..

For and on behalf of
SGS Supervise Gözetme Etüd
Kontrol Servisleri A.Ş.

Ali Osman ÖZVEKİL Ahmet Kürşad Çanakçı
Page 1 of 1 F150201M

SGS Supervise Gözetme Etüd Kontrol Servisleri A.Ş.
Abide-i Hürriyet Cad. Geçit Sokak
NO:4 K:1-2-3-4 34381 Şişli İstanbul- TURKEY
t: 90.212.3684000 (Pbx)
f: 90.212.2964782-83
e: sgs_turkey@sgs.com

S-IND-F-32/ Rev:4

This document is issued, on the Client's behalf, by the Company under its General Conditions of Service printed overleaf. The Client's attention is drawn to the limitation of liability, indemnification and jurisdiction issues defined therein.

Any other holder of this document is advised that information contained hereon reflects the Company's findings at the time of its intervention only and within the limits of Clients instructions, if any. The Company's sole responsibility is to its Client and this document does not exonerate parties to a transaction from exercising all their rights and obligations under the transaction documents.

SGSPAPER
11898093



SGS

Certificate TR08/000642

The management system of

**KIRAÇ METAL ÜRÜNLERİ
SANAYİ VE TİCARET LTD. ŞTİ.**

Eskişehir Organize Sanayi Bölgesi Şehitler Bulvarı No:21
Eskişehir, Turkey

has been assessed and certified as meeting the requirements of

ISO 9001:2008

For the following activities

**Design, manufacture and sales of metal construction, sheet metal
cable trays ,cable ladders, sheet metal processing , hanging systems
and electrical panels.**

Further clarifications regarding the scope of this certificate and the applicability of
ISO 9001:2008 requirements may be obtained by consulting the organisation

This certificate is valid from 15 February 2014 until 14 February 2017
and remains valid subject to satisfactory surveillance audits.
Re certification audit due before 13 February 2017
Issue 5. Certified since 15 February 2008

Authorised by



SGS United Kingdom Ltd Systems & Services Certification
Rossmore Business Park Ellesmere Port Cheshire CH65 3EN UK
t +44 (0)151 350-6666 f +44 (0)151 350-6600 www.sgs.com

SGS 9001-8 01 0311

Page 1 of 1





This document is issued by the Company subject to its General Conditions of
Certification Services accessible at www.sgs.com/terms_and_conditions.htm.
Attention is drawn to the limitations of liability, indemnification and jurisdictional
issues established therein. The authenticity of this document may be verified at
[http://www.sgs.com/en/Our-Company/Certified-Client-Directories/Certified-Client-
Directories.aspx](http://www.sgs.com/en/Our-Company/Certified-Client-Directories/Certified-Client-
Directories.aspx). Any unauthorized alteration, forgery or falsification of the
content or appearance of this document is unlawful and offenders may be
prosecuted to the fullest extent of the law.

SGS

Certificate TR08/000643

The management system of

**KIRAÇ METAL ÜRÜNLERİ SANAYİ
VE TİCARET LTD. ŞTİ.**

Eskişehir Organize Sanayi Bölgesi Şehitler Bulvarı No:21
Eskişehir, Turkey

has been assessed and certified as meeting the requirements of

TS EN ISO 9001:2008

For the following activities

**Design, manufacture and sales of metal construction, sheet metal cable
trays ,cable ladders, sheet metal processing , hanging systems and
electrical panels.**

Further clarifications regarding the scope of this certificate and the applicability of
ISO 9001:2008 requirements may be obtained by consulting the organisation.

This certificate is valid from 15/02/2014 until 14/02/2017
and remains valid subject to satisfactory surveillance audits.
Re certification audit due before 13/02/2017
Issue5. Certified since 15/02/2008

Authorised by



SGS Supervise Gözetme Etüd Kontrol Servisleri A.Ş.
System & Services Certification
Bağlar Mah. Osmanpaşa Cad. No:95
İş İstanbul Plaza A Girişi 34209 Güneşli / İstanbul TÜRKİYE
t 0212 - 368 40 00 f 0212 - 296 47 82-83 www.tr.sgs.com



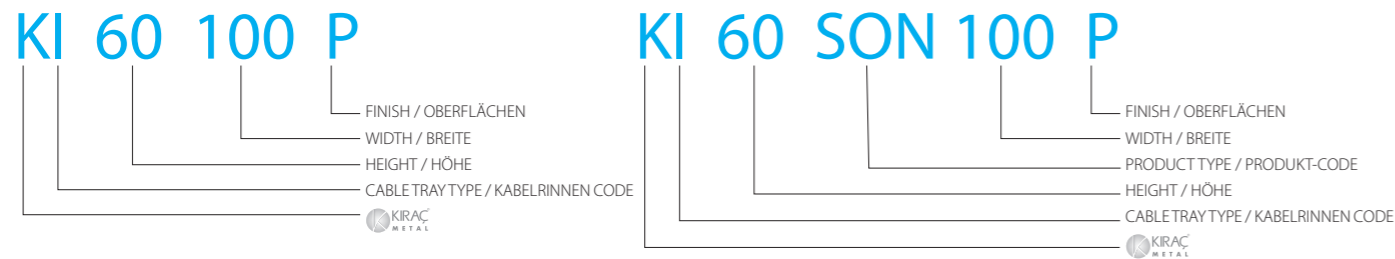
**Kalite Yönetim Sistemi
TS EN ISO IEC 17021
AB-0012-YS**



This document is issued by the Company subject to its General Conditions of
Certification Services accessible at www.sgs.com/terms_and_conditions.htm.
Attention is drawn to the limitations of liability, indemnification and jurisdictional
issues established therein. The authenticity of this document may be verified at
[http://www.sgs.com/en/Our-Company/Certified-Client-Directories/Certified-Client-
Directories.aspx](http://www.sgs.com/en/Our-Company/Certified-Client-Directories/Certified-Client-
Directories.aspx). Any unauthorized alteration, forgery or falsification of the
content or appearance of this document is unlawful and offenders may be
prosecuted to the fullest extent of the law.

Code Explanation / Bestellnummernsystem

Please use the information below as a guide when ordering our cable trays, accessories and support systems. / Bitte orientieren Sie sich bei der Bestellung von Kabelrinnen, Montagesystemen und Zubehör an dem untenstehenden System.



Cable Tray Type / Kabelrinnen Code

I Innovatray Cable Tray / Kablerinne Innovatray

R Universal Accessories / Universal-Zubehör

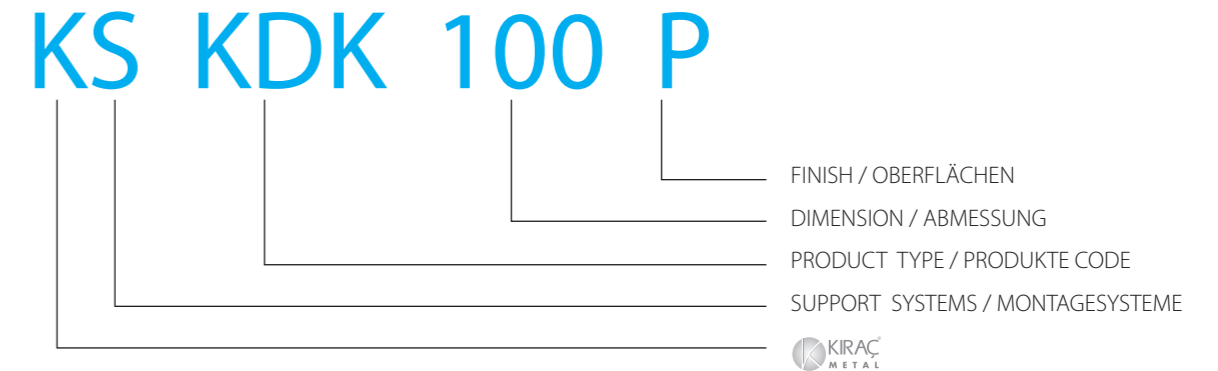
Product Type / Produkt-Code

SEP	Barrier Strip / Trennsteg
SEK	Barrier Strip Connector / Trennstegverbinder
EK	Straight Connector / Verbinder
DSD	Vertical Adjustable Connector / Flexibler Vertikalverbinder
IDS	Adjustable Vertical Bend Element / Gelenkstück
IDSD	Adjustable Vertical Bend / Gelenkbogen
YSD	Horizontal Adjustable Connector / Flexibler Horizontalverbinder
YKB	Corner Connector / Eckverbinder
SON	End Cap - Reducer / Endkappe - Reduzierstück
YTD	Extension T Bend / Anbau T-Stück
TD	T Bend / T-Stück
YD	90° Bend / 90° Bogen
DD	Cross-Over / Kreuzung
RO	Middle Reducer / Reduzierstück, mittig
RSO	Left Reducer / Reduzierstück, links
RSA	Right Reducer / Reduzierstück, rechts
IB	90° Inside Bend / 90°-Steigstück
DB	90° Outside Bend / 90°-Fallstück
DYT	Vertical Extension T Bend / Anbau T-Stück, vertikal
DT	Vertical T Bend / T-Stück, vertikal

K	Cover for Cable Tray / Deckel für Kabelrinnen
KLP	Cover Clamp / Deckelklemme
YTDK	Cover for Extension T Bend / Deckel für Anbau T-Stücke
TDK	Cover for T Bend / Deckel für T-Stücke
YDK	Cover for 90° Bend / Deckel für 90° Bogen
DDK	Cover for Cross-Over / Deckel für Kreuzungen
ROK	Cover for Middle Reducer / Deckel für Reduzierstücke, mittig
RSOK	Cover for Left Reducer / Deckel für Reduzierstücke, links
RSOK	Cover for Right Reducer / Deckel für Reduzierstücke, rechts
IBK	Cover for 90° Inside Bend / Deckel für 90°-Steigstücke
DBK	Cover for 90° Outside Bend / Deckel für 90°-Fallstücke
DTK	Cover for Vertical T Bend / Deckel für T-Stücke, vertikal
KTS	Joint Plate / Stoßstellenleiste
SDS	Edge Protection Plate / Kantenschutzblech
KPM 1	Mounting Plate / Montageplatte
KPM 2	Mounting Plate / Montageplatte

Code Explanation / Bestellnummernsystem

Please use the information below as a guide when ordering our cable trays, accessories and support systems. / Bitte orientieren Sie sich bei der Bestellung von Kabelrinnen, Montagesystemen und Zubehör an dem untenstehenden System.



Support Systems / Montagesysteme

S Support Systems / Montagesysteme

Product Type / Produkt-Code

2GTM	Ceiling Bracket / Deckenbügel
3GTM	Ceiling Bracket Trapezoidal / Trapezbefestigung
CTT	Mounting Rail / Montagesschiene
GJ	Threaded Rod / Gewindestangen
MTA	Support Bracket / Stielausleger
MKB	Spacer / Distanzstück
MP	Omega Profile / Omega-Profil
MPC	Omega Profile Protective Cap / Schutzkappe, Omega-Profil
MDT	Ceiling Bracket / Deckenbügel
MLK	Wall and Support Bracket / Wand- und Stielausleger
MUK	Wall and Ceiling Bracket / Wand- und Deckenbügel
KDK	Wall and Support Bracket / Wand- und Stielausleger
ZB	Floor Mounting Bracket / Distanzbügel für Bodenmontage
UP	U Profile / U-Profil
UPC	U Profile Protective Cap / Schutzkappe, U-Profil
UT1	Head Plate for U Profile / Kopfplatte für U-Profil
UEK	U Profile Connector / Verbinder, U-Profil
UPK	Support Bracket / Stielausleger
KSDB	Spacer / Distanzstück
UT2	Double Head Plate for U Profile / Kopfplatte, Doppelt für U-Profil

5UD	Variable Head Plate / Kopfplatte, variabel
I80P	I 80 Profile / I 80-Profil
I80PC	I 80 Profile Protective Cap / Schutzkappe, I 80-Profil
I80DB	I 80 Mounting Bracket / Befestigungswinkel, I 80
I80DTB	I 80 Mounting Bracket / Befestigungswinkel, I 80
I80TEP	I 80 Head Plate / Kopfplatte für I 80-Profil
I80EK	I 80 Connector / Verbinder, I 80
I80TE	I 80 Head Plate / Kopfplatte für I 80-Profil
I80YEK	I 80T Connector / T-Verbinder, I 80
I80AP	I 80 Support Claw / Trägerklaue, I 80
I80K	I 80 Support Bracket / Stielausleger, I 80
I80TA	I 80 Variable Head Plate / I 80-Kopfplatte, variabel

Code Explanation / Bestellnummernsystem

Please use the information below as a guide when ordering our cable trays, accessories and support systems. / Bitte orientieren Sie sich bei der Bestellung von Kabelrinnen, Montagesystemen und Zubehör an dem untenstehenden System.

KH BB M6X15 E



Fasteners / Verbindungselemente

H

Fasteners / Verbindungselemente

Fasteners / Verbindungselemente

BB	Mushroom Head Bolt / Rundkopfschraube
BBFS	Mushroom Head Bolt with Flange Nut / Rundkopfschraube mit Flanschmutter
FS	Flange Nut / Flanschmutter
AKB	Hexagonal Bolt / Sechskantschraube
AKBPS	Hexagonal Bolt with Nut and Washers / Sechskantschraube mit Mutter und Unterlegscheiben
AKF	Flange Bolt / Flanschschraube
S	Hexagonal Nut / Sechskantmutter
YS	Spring Nut / Federmutter
US	Bushing / Verbindungsmuffe
P	Washer / Unterlegscheibe
PS	Hexagonal Nut and Washer / Sechskantmutter und Unterlegscheibe
SGD	Pull Steel Anchor / Spreizdübel
CD	Anchor / Dübel
STCD	S Type Anchor / Einschlaganker
M	Beam Clamp / Flanschklemme
GC	Edge Protection Strip / Kantenschutzband
ZS	Zinc Spray / Zinkspray

Product Type / Produkt-Code

P	Pregalvanised / Bandverzinkt
S	Hot Dip Galvanised / Feuerverzinkt
E	Electro Galvanised / Galvanisch verzinkt
G	Geomet Galvanised / Geomet verzinkt
PE	Polyethylene / Polyethylen

CONTENTS / INHALTSVERZEICHNIS

Support Systems / Montagesysteme

Universal Systems / Universal Systeme
 U Profile Systems / U-Profil Systeme
 I 80 Profile Systems / I 80-Profil Systeme
 Fasteners / Verbindungselemente

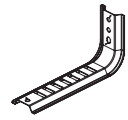
Innovatray Cable Tray / Kabelrinne Innovatray

Side Height 35mm / Seitenhöhe 35mm
 Side Height 60mm / Seitenhöhe 60mm
 Accessories 35mm, 60mm / Zubehör 35mm, 60mm

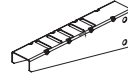
Technical Information / Technische Informationen



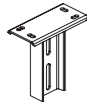
Support Systems / Montagesysteme



Universal Systems / Universal Systeme



U Profile Systems / U-Profil Systeme



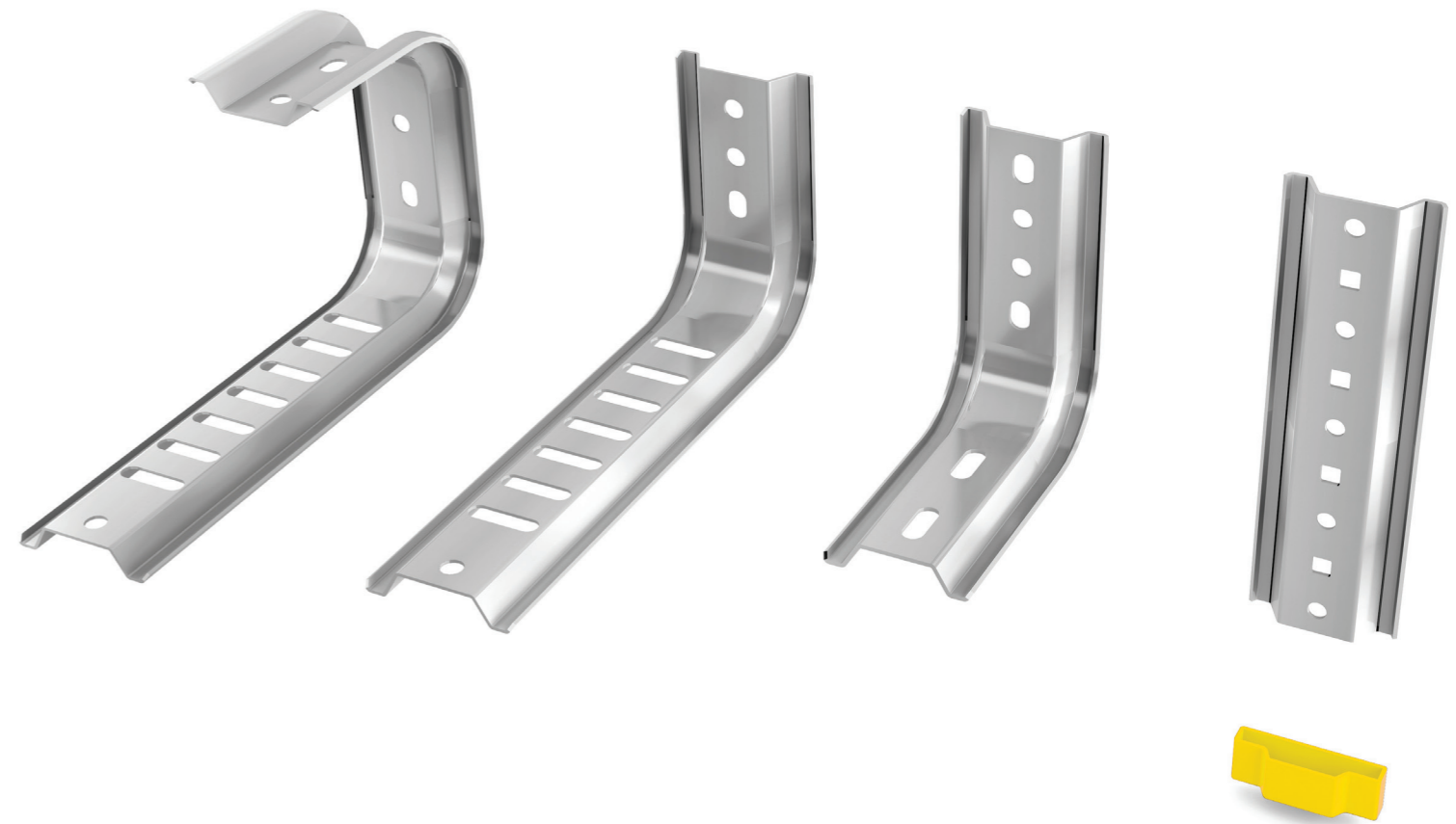
I 80 Profile Systems / I 80-Profil Systeme



Fasteners / Verbindungselemente

Universal Systems

Universal Systeme



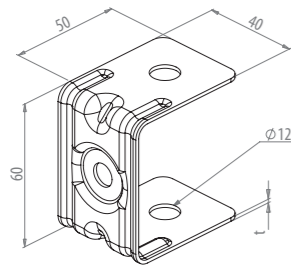
The adequate fixing to the supporting structure has to be guaranteed by the installer.

Die adäquate Befestigung am tragenden Untergrund muss bauseits gewährleistet werden.

INNOVATRAY®



Ceiling Bracket / Deckenbügel

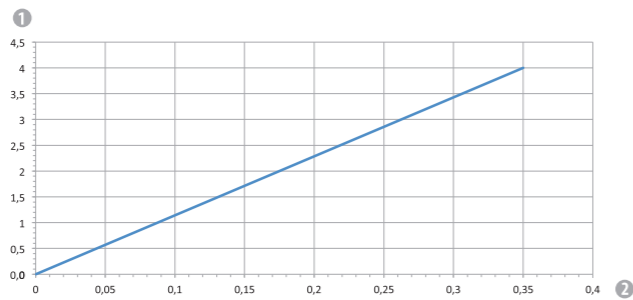


Type Artikelnummer	Thickness Dicke t mm				Weight Gewicht kg/pcs	Min.Package Kleinste VPE
KS 2GTM P	2				0,098	1 pcs
KS 2GTM S	2				0,098	1 pcs

P Pregalvanized / Bandverzinkt **S** Hot Dip Galvanized / Feuerverzinkt

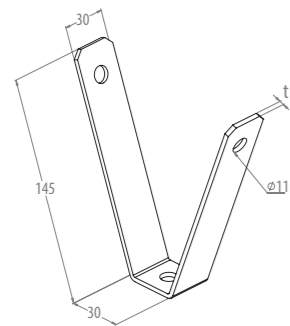
Ceiling bracket for threaded rods. For ceiling installation 1 x KH SGD M10 is used. Fasteners are included. *Deckenbügel für Gewindestangen. Zur Deckenmontage wird 1 x KH SGD M10 benötigt. Verbindungselemente im Lieferumfang enthalten.*

Loading Capacity Details / Belastungsangaben



- 1 Bending of the end of the bracket in mm at permitted bracket load / Durchbiegung in mm an der Auslegerspitze
 - 2 Permitted bracket load in kN without man load / zul. Belastung in kN ohne Mannlast
- Load curves with bracket lengths in mm / Belastungskurven für Auslegerlängen in mm

Ceiling Bracket Trapezoidal / Trapezbefestigung

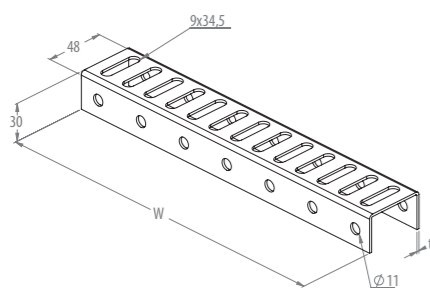


Type Artikelnummer	Thickness Dicke t mm				Weight Gewicht kg/pcs	Min.Package Kleinste VPE
KS 3GTM P	3				0,221	1 pcs
KS 3GTM S	3				0,221	1 pcs

P Pregalvanized / Bandverzinkt **S** Hot Dip Galvanized / Feuerverzinkt

Trapezoidal ceiling bracket for threaded rods. Threaded rods should be ordered separately. *Trapezbefestigung für Gewindestangen. Gewindestangen sind separat zu bestellen.*

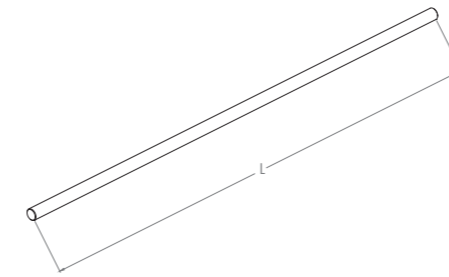
Mounting Rail / Montageschiene



Type Artikelnummer	Width Breite W mm	Thickness Dicke t mm			Weight Gewicht kg/pcs	Min.Package Kleinste VPE
KS CTT 100 P	180	2			0,200	1 pcs
KS CTT 200 P	280	2			0,317	1 pcs
KS CTT 300 P	380	2			0,435	1 pcs
KS CTT 100 S	180	2			0,200	1 pcs
KS CTT 200 S	280	2			0,317	1 pcs
KS CTT 300 S	380	2			0,435	1 pcs

P Pregalvanized / Bandverzinkt **S** Hot Dip Galvanized / Feuerverzinkt

For installation threaded rods are used. Threaded rods should be ordered separately. *Zur Befestigung werden Gewindestangen benötigt. Gewindestangen müssen separat bestellt werden.*



Threaded Rod / Gewindestangen

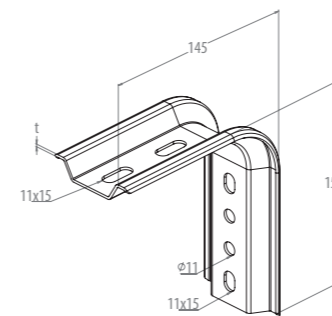
Type Artikelnummer	Length Länge L mm	Thread Gewinde mm	Quality Qualität		Weight Gewicht kg/pcs	Min.Package Kleinste VPE
KH GJ M08X1000 E	1000	8	DIN975		0,305	1 pcs
KH GJ M08X1500 E	1500	8	DIN975		0,502	1 pcs
KH GJ M08X2000 E	2000	8	DIN975		0,601	1 pcs
KH GJ M08X3000 E	3000	8	DIN975		0,908	1 pcs
KH GJ M10X1000 E	1000	10	DIN975		0,481	1 pcs
KH GJ M10X1500 E	1500	10	DIN975		0,713	1 pcs
KH GJ M10X2000 E	2000	10	DIN975		0,958	1 pcs
KH GJ M10X3000 E	3000	10	DIN975		1,437	1 pcs

E Elektrogalvanized / Galvanisch verzinkt

4 x KH PS are included.

4 x KH PS im Lieferumfang enthalten.

Support Bracket / Stielausleger

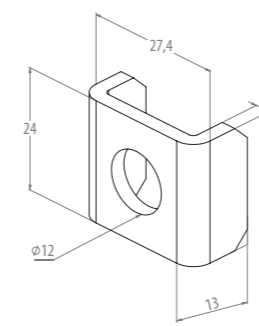


Type Artikelnummer	Thickness Dicke t mm				Weight Gewicht kg/pcs	Min.Package Kleinste VPE
KS MTA P	2				0,312	5 pcs
KS MTA S	2				0,312	5 pcs

P Pregalvanized / Bandverzinkt **S** Hot Dip Galvanized / Feuerverzinkt

The support bracket is fixed to the omega profile using 2 x KH AKBPS M8. For ceiling installation 2 x KH SGD M8 are used. Fasteners are included. *Der Stielausleger wird an dem Omega-Profil mit 2 x KH AKBPS M8 befestigt. Zur Deckenmontage werden 2 x KH SGD M8 benötigt. Verbindungselemente im Lieferumfang enthalten.*

Spacer / Distanzstück



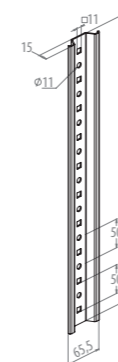
Type Artikelnummer	Thickness Dicke t mm				Weight Gewicht kg/pcs	Min.Package Kleinste VPE
KS MKB P	2				0,107	10 pcs
KS MKB S	2				0,107	10 pcs

P Pregalvanized / Bandverzinkt **S** Hot Dip Galvanized / Feuerverzinkt

Spacer for omega profiles.

Distanzstück für Omega-Profil.

Omega Profile / Omega - Profil



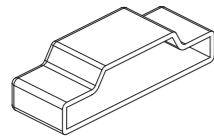
Type Artikelnummer	Length Länge L mm	Thickness Dicke t mm			Weight Gewicht kg/pcs	Min.Package Kleinste VPE
KS MP 050 P	500	2			0,617	1 pcs
KS MP 100 P	1000	2			1,233	1 pcs
KS MP 150 P	1500	2			1,849	1 pcs
KS MP 300 P	3000	2			3,699	1 pcs
KS MP 050 S	500	2			0,617	1 pcs
KS MP 100 S	1000	2			1,233	1 pcs
KS MP 150 S	1500	2			1,849	1 pcs
KS MP 300 S	3000	2			3,699	1 pcs

P Pregalvanized / Bandverzinkt **S** Hot Dip Galvanized / Feuerverzinkt

Omega profile in fixed lengths.

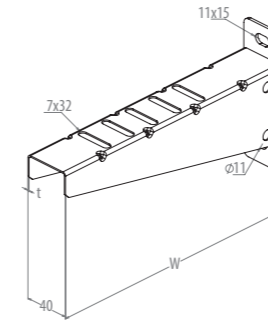
Omega-Profil in vorgegebenen Längen.

Omega Profile Protective Cap / Schutzkappe, Omega – Profil

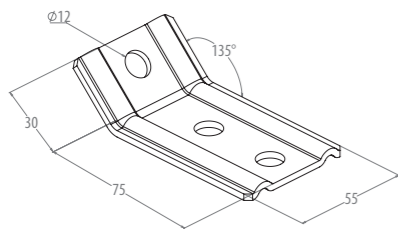


Type Artikelnummer	Width Breite W mm	Thickness Dicke t mm	Weight Gewicht kg/pcs	Min.Package Kleinste VPE
KH MPC				10

P Polyethylene / Polyethylen



Ceiling Bracket / Deckenbügel



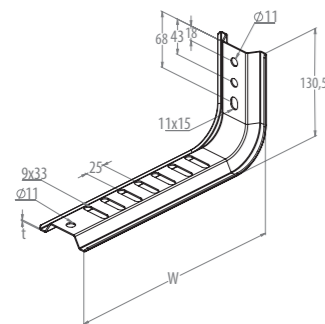
Type Artikelnummer	Thickness Dicke t mm	Weight Gewicht kg/pcs	Min.Package Kleinste VPE
KS MDT P	3	0,144	1 pcs
KS MDT S	3	0,144	1 pcs

P Pregalvanized / Bandverzinkt

S Hot Dip Galvanized / Feuerverzinkt

Ceiling bracket for omega profiles. For installation use 2 x KH SGD M10. Fasteners are included. *Deckenbügel für Omega-Profile. Zur Befestigung werden 2 x KH SGD M10 benötigt. Verbindungselemente im Lieferumfang enthalten.*

Wall and Support Bracket / Wand- und Stielausleger



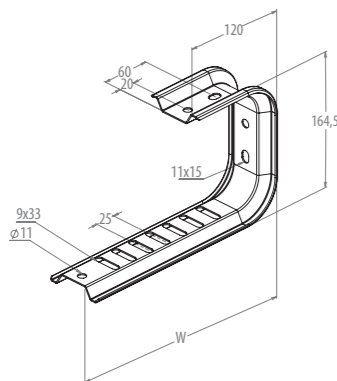
Type Artikelnummer	Width Breite W mm	Thickness Dicke t mm	Weight Gewicht kg/pcs	Min.Package Kleinste VPE
KS MLK 100 P	175	2	0,353	10 pcs
KS MLK 200 P	275	2	0,475	10 pcs
KS MLK 300 P	375	2	0,593	10 pcs
KS MLK 100 S	175	2	0,353	10 pcs
KS MLK 200 S	275	2	0,475	10 pcs
KS MLK 300 S	375	2	0,593	10 pcs

P Pregalvanized / Bandverzinkt

S Hot Dip Galvanized / Feuerverzinkt

Wall and support bracket for use in wall mounting. The support bracket is fixed to the omega profile using 2 x KH AKBPS M8. For wall installation 2 x KH SGD M10 are used. Fasteners are included. *Wand- und Stielausleger. Der Stielausleger wird an dem Omega-Profil mit 2 x KH AKBPS M8 befestigt. Zur Montage an Wänden werden 2 x KH SGD M10 benötigt. Verbindungselemente im Lieferumfang enthalten.*

Wall and Ceiling Bracket / Wand- und Deckenbügel



Type Artikelnummer	Width Breite W mm	Thickness Dicke t mm	Weight Gewicht kg/pcs	Min.Package Kleinste VPE
KS MUK 100 P	175	2	0,549	5 pcs
KS MUK 200 P	275	2	0,669	5 pcs
KS MUK 300 P	375	2	0,789	5 pcs
KS MUK 100 S	175	2	0,549	5 pcs
KS MUK 200 S	275	2	0,669	5 pcs
KS MUK 300 S	375	2	0,789	5 pcs

P Pregalvanized / Bandverzinkt

S Hot Dip Galvanized / Feuerverzinkt

For universal use in wall and ceiling mounting with 2 x KH SGD M10. To fix to the omega profile 2 x KH AKBPS M8 are used. Fasteners are included. *Universeller Einsatz bei Wand- und Deckenmontagen mit 2 x KH SGD M10. Zur Montage an Profilen werden 2 x KH AKBPS M8 benötigt. Verbindungselemente im Lieferumfang enthalten.*

Wall and Support Bracket / Wand- und Stielausleger

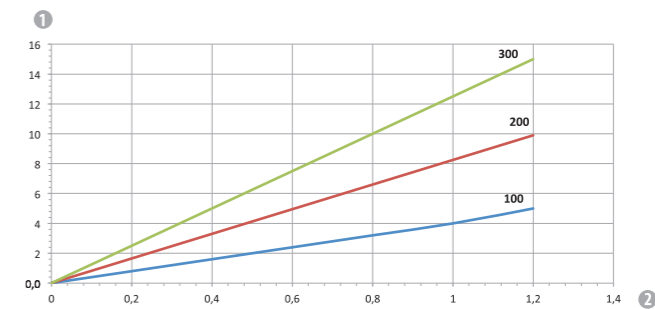
Type Artikelnummer	Width Breite W mm	Thickness Dicke t mm	Weight Gewicht kg/pcs	Min.Package Kleinste VPE
KS KDK 100 P	130	1,2	0,240	10 pcs
KS KDK 200 P	230	1,2	0,353	10 pcs
KS KDK 300 P	330	1,5	0,458	10 pcs
KS KDK 100 S	130	1,2	0,240	10 pcs
KS KDK 200 S	230	1,2	0,353	10 pcs
KS KDK 300 S	330	1,5	0,458	10 pcs

P Pregalvanized / Bandverzinkt

S Hot Dip Galvanized / Feuerverzinkt

Welded wall and support bracket, for fixing to walls. To install use 2 x KH SGD M10. Fasteners are included. *Wand- und Stielausleger, geschweißt. Zur Befestigung werden 2 x KH SGD M10 benötigt. Verbindungselemente im Lieferumfang enthalten.*

Loading Capacity Details / Belastungsangaben

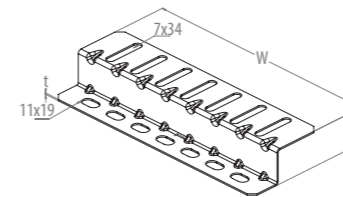


1 Bending of the end of the bracket in mm at permitted bracket load / Durchbiegung in mm an der Ausleger Spitze

2 Permitted bracket load in kN without man load/ zul. Belastung in kN ohne Mannlast

Load curves with bracket lengths in mm/ Belastungskurven für Auslegerlängen in mm

Floor Mounting Bracket / Distanzbügel für Bodenmontage

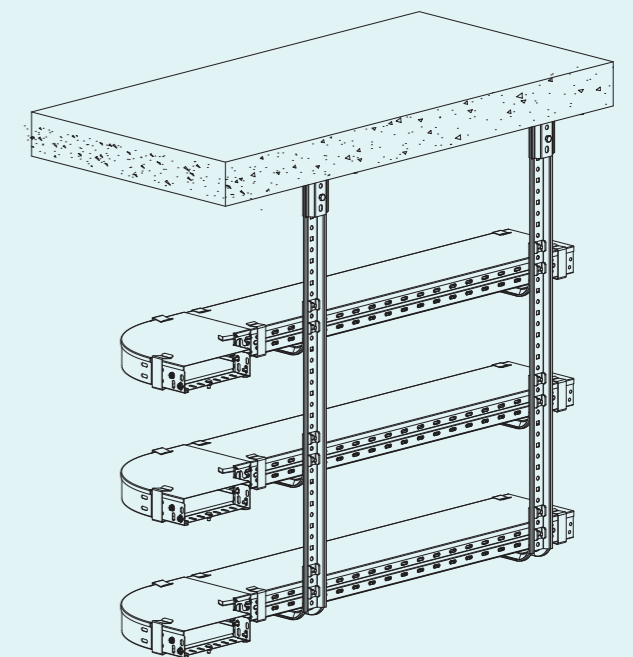
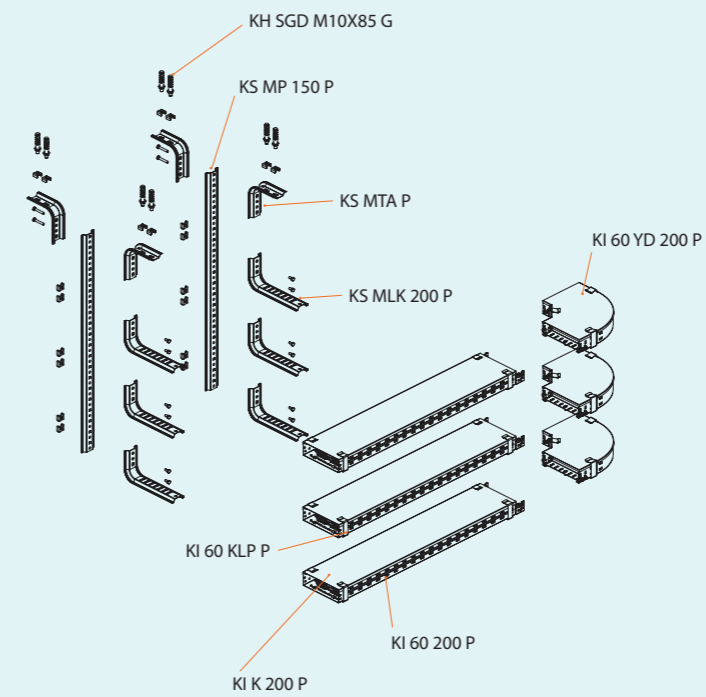
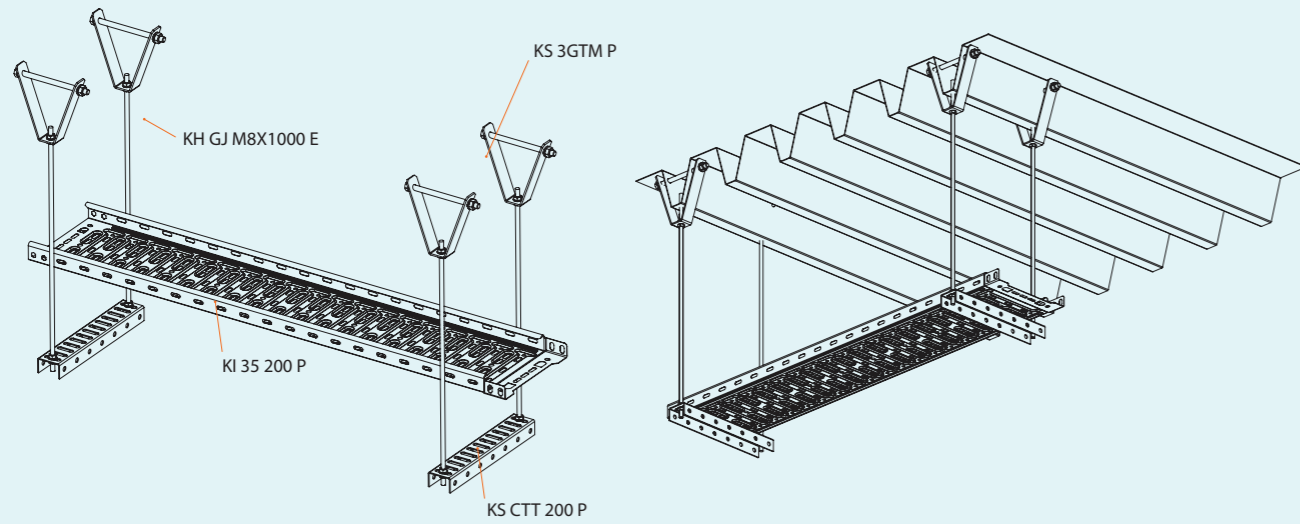
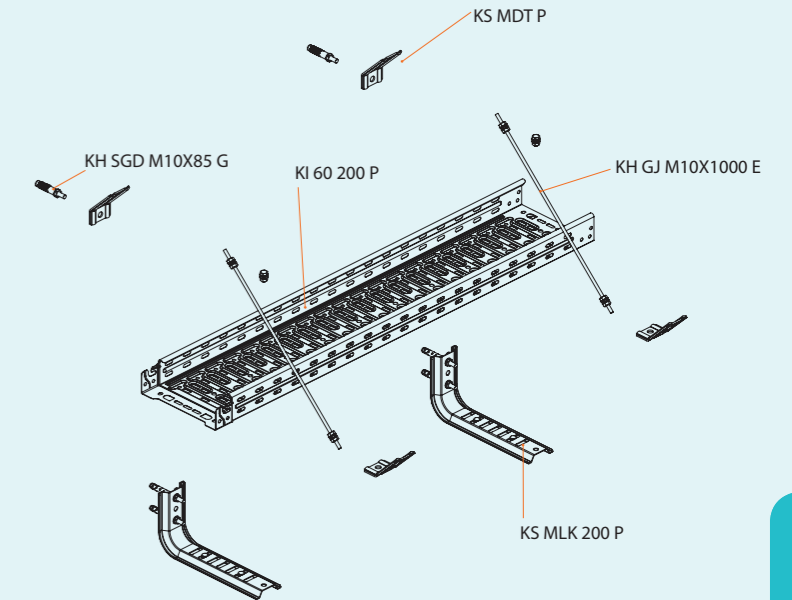
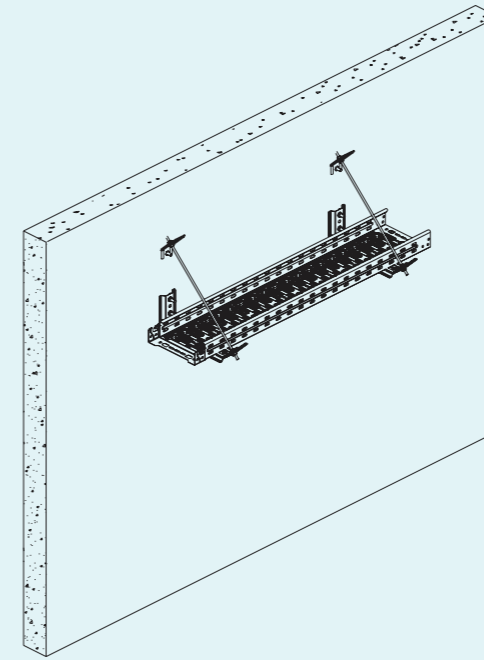
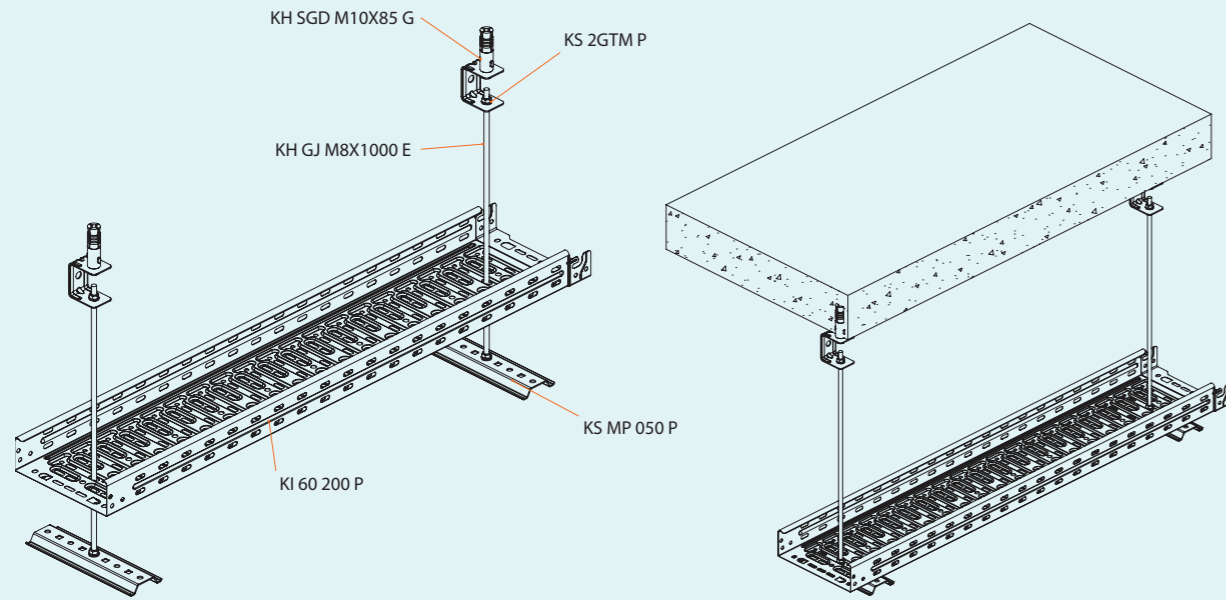


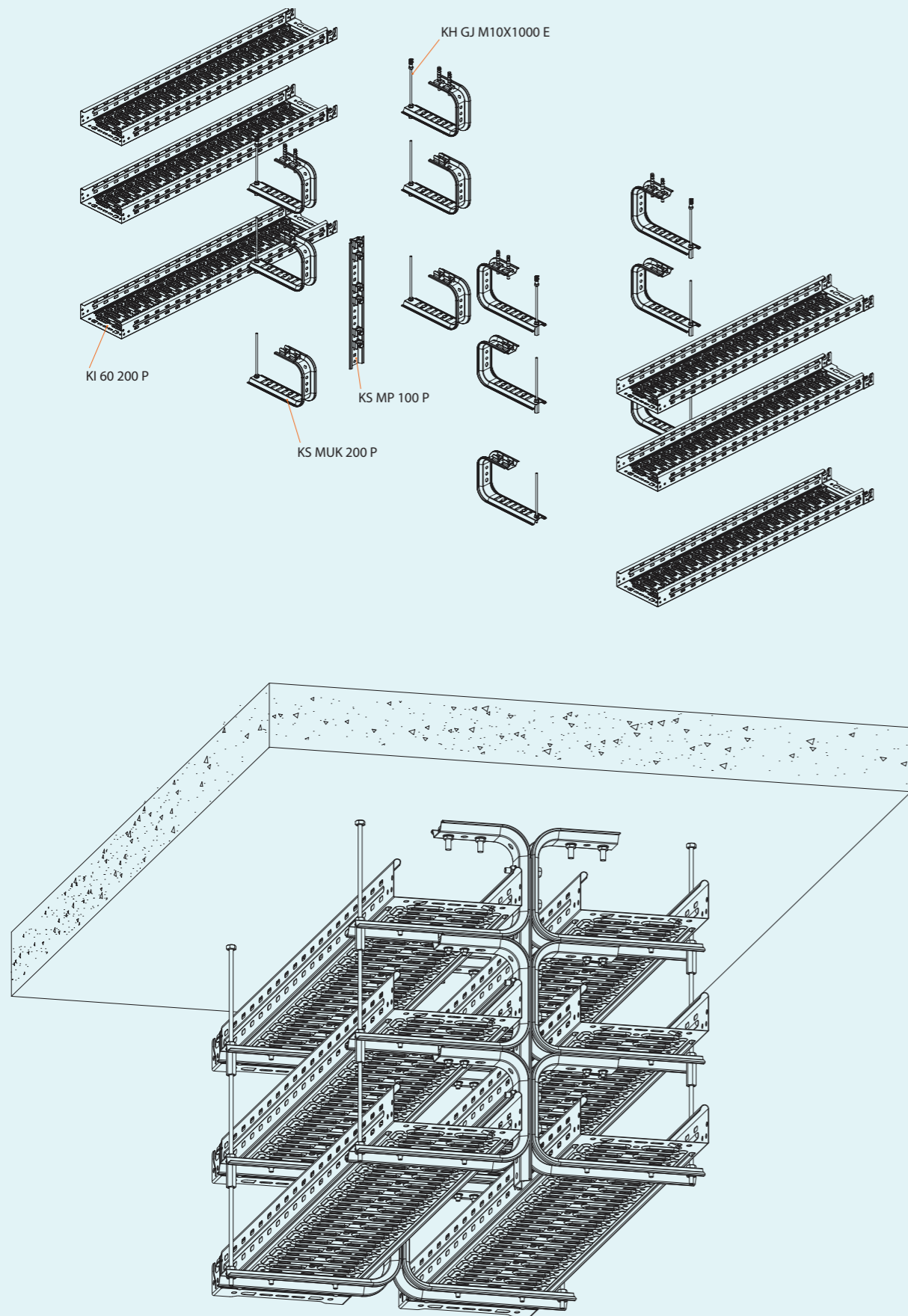
Type Artikelnummer	Width Breite W mm	Thickness Dicke t mm	Weight Gewicht kg/pcs	Min.Package Kleinste VPE
KS ZB 100 P	100	1,2	0,078	6 pcs
KS ZB 200 P	200	1,2	0,153	6 pcs
KS ZB 300 P	300	1,2	0,228	6 pcs
KS ZB 100 S	100	1,2	0,078	6 pcs
KS ZB 200 S	200	1,2	0,153	6 pcs
KS ZB 300 S	300	1,2	0,228	6 pcs

P Pregalvanized / Bandverzinkt

S Hot Dip Galvanized / Feuerverzinkt

Floor mounting bracket for fixing to floor with 3 x KH SGD M8. Fasteners are included. *Distanzbügel für Bodenmontage mit 3 x KH SGD M8. Verbindungselemente im Lieferumfang enthalten.*



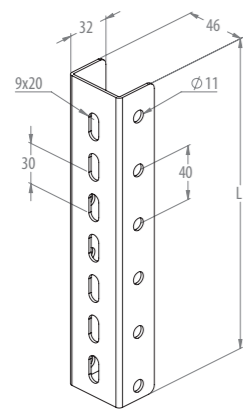


U Profile Systems

U-Profil Systeme



U Profile / U-Profil



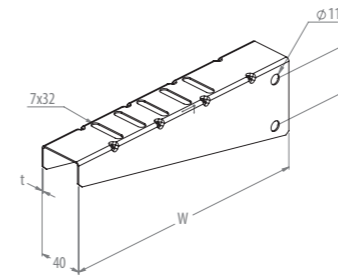
Type Artikelnummer	Length Länge L mm	Thickness Dicke t mm				Weight Gewicht kg/pcs	Min.Package Kleinste VPE
KS UP 050 P	500	2				0,900	1 pcs
KS UP 100 P	1000	2				1,795	1 pcs
KS UP 150 P	1500	2				2,695	1 pcs
KS UP 200 P	2000	2				3,590	1 pcs
KS UP 250 P	2500	2				4,489	1 pcs
KS UP 300 P	3000	2				5,385	1 pcs
KS UP 050 S	500	2				0,900	1 pcs
KS UP 100 S	1000	2				1,795	1 pcs
KS UP 150 S	1500	2				2,695	1 pcs
KS UP 200 S	2000	2				3,590	1 pcs
KS UP 250 S	2500	2				4,489	1 pcs
KS UP 300 S	3000	2				5,385	1 pcs

P Pregalvanized / Bandverzinkt

S Hot Dip Galvanized / Feuerverzinkt

U profile in fixed lengths.

U-Profil in vorgegebenen Längen.



Support Bracket / Stielausleger

Type Artikelnummer	Width Breite W mm	Thickness Dicke t mm				Weight Gewicht kg/pcs	Min.Package Kleinste VPE
KS UPK 100 P	130	1,2				0,144	10 pcs
KS UPK 200 P	230	1,2				0,254	10 pcs
KS UPK 300 P	330	1,5				0,444	10 pcs
KS UPK 100 S	130	1,2				0,144	10 pcs
KS UPK 200 S	230	1,2				0,254	10 pcs
KS UPK 300 S	330	1,5				0,444	10 pcs

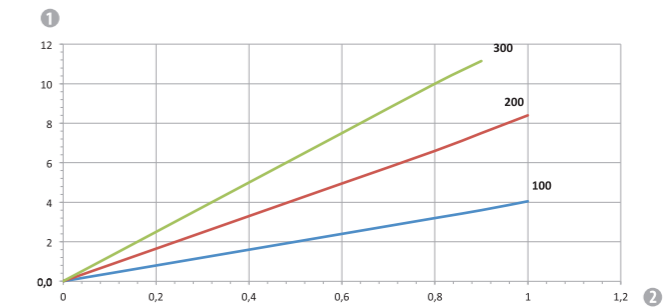
P Pregalvanized / Bandverzinkt

S Hot Dip Galvanized / Feuerverzinkt

The support bracket can be fastened to both sides of the U profile. To install use 4 x KH AKBPS M8. Fasteners are included.

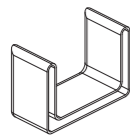
Dieser Stielausleger kann an beiden Seiten des U-Profiles montiert werden. Zur Befestigung werden 4 x KH AKBPS M8 benötigt. Verbindungselemente im Lieferumfang enthalten.

Loading Capacity Details / Belastungsangaben



- 1 Bending of the end of the bracket in mm at permitted bracket load / Durchbiegung in mm an der Auslegerspitze
 - 2 Permitted bracket load in kN without man load / zul. Belastung in kN ohne Mannlast
- Legend: Load curves with bracket lengths in mm / Belastungskurven für Auslegerlängen in mm

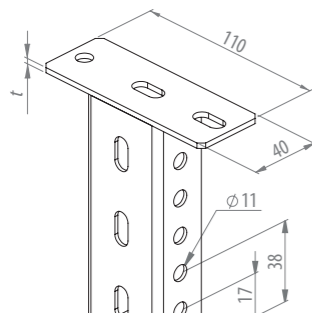
U Profile Protective Cap / Schutzkappe, U - Profil



Type Artikelnummer						Min.Package Kleinste VPE
KH UPC						10

PE Polyethylene / Polyethylen

Head Plate for U Profile / Kopfplatte für U-Profil



Type Artikelnummer	Thickness Dicke t mm					Weight Gewicht kg/pcs	Min.Package Kleinste VPE
KS UT1 P	2					0,455	5 pcs
KS UT1 S	2					0,455	5 pcs

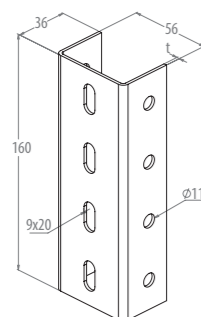
P Pregalvanized / Bandverzinkt

S Hot Dip Galvanized / Feuerverzinkt

Head plate for U profiles. The head plate is fixed to the U profile using 4 x KH AKBPS M8. For ceiling installation 4 x KH SGD M10 are used. Fasteners are included.

Die Kopfplatte wird an dem U-Profil mit 4 x KH AKBPS M8 befestigt. Zur Deckenmontage werden 4 x KH SGD M10 benötigt. Verbindungselemente im Lieferumfang enthalten.

U Profile Connector / Verbinder, U-Profil



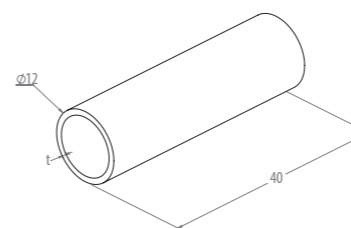
Type Artikelnummer	Thickness Dicke t mm					Weight Gewicht kg/pcs	Min.Package Kleinste VPE
KS UEK P	2					0,287	5 pcs
KS UEK S	2					0,287	5 pcs

P Pregalvanized / Bandverzinkt

S Hot Dip Galvanized / Feuerverzinkt

U profile connector to connect U profiles. For installation use 4 x KH AKBPS M8. Fasteners are included.

Zur Verbindung der U-Profile werden Verbinder sowie 4 x KH AKBPS M8 benötigt. Verbindungselemente im Lieferumfang enthalten.



Spacer / Distanzstück

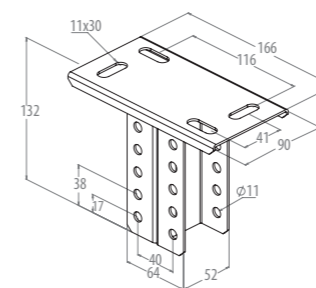
Type Artikelnummer	Thickness Dicke t mm					Weight Gewicht kg/pcs	Min.Package Kleinste VPE
KS DB	1					0,012	1 pcs

P Pregalvanized / Bandverzinkt

Spacer for U profiles.

Distanzstück für U-Profile.

Double Head Plate for U Profile / Kopfplatte, Doppelt für U-Profil



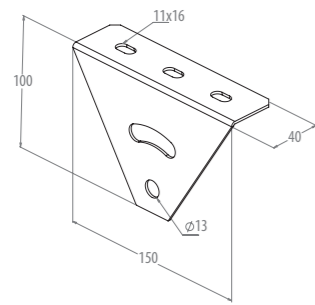
Type Artikelnummer	Thickness Dicke t mm					Weight Gewicht kg/pcs	Min.Package Kleinste VPE
KS UT2 P	2					0,645	1 pcs
KS UT2 S	2					0,645	1 pcs

P Pregalvanized / Bandverzinkt

S Hot Dip Galvanized / Feuerverzinkt

Double head plate for U profiles. The head plate is fixed to the U profiles using 8 x KH AKBPS M8. For ceiling installation 4 x KH SGD M10 are used. Fasteners are included.

Die Kopfplatte wird an dem U-Profil mit 8 x KH AKBPS M8 befestigt. Zur Deckenmontage werden 4 x KH SGD M10 benötigt. Verbindungselemente im Lieferumfang enthalten.



Variable Head Plate / Kopfplatte, variabel

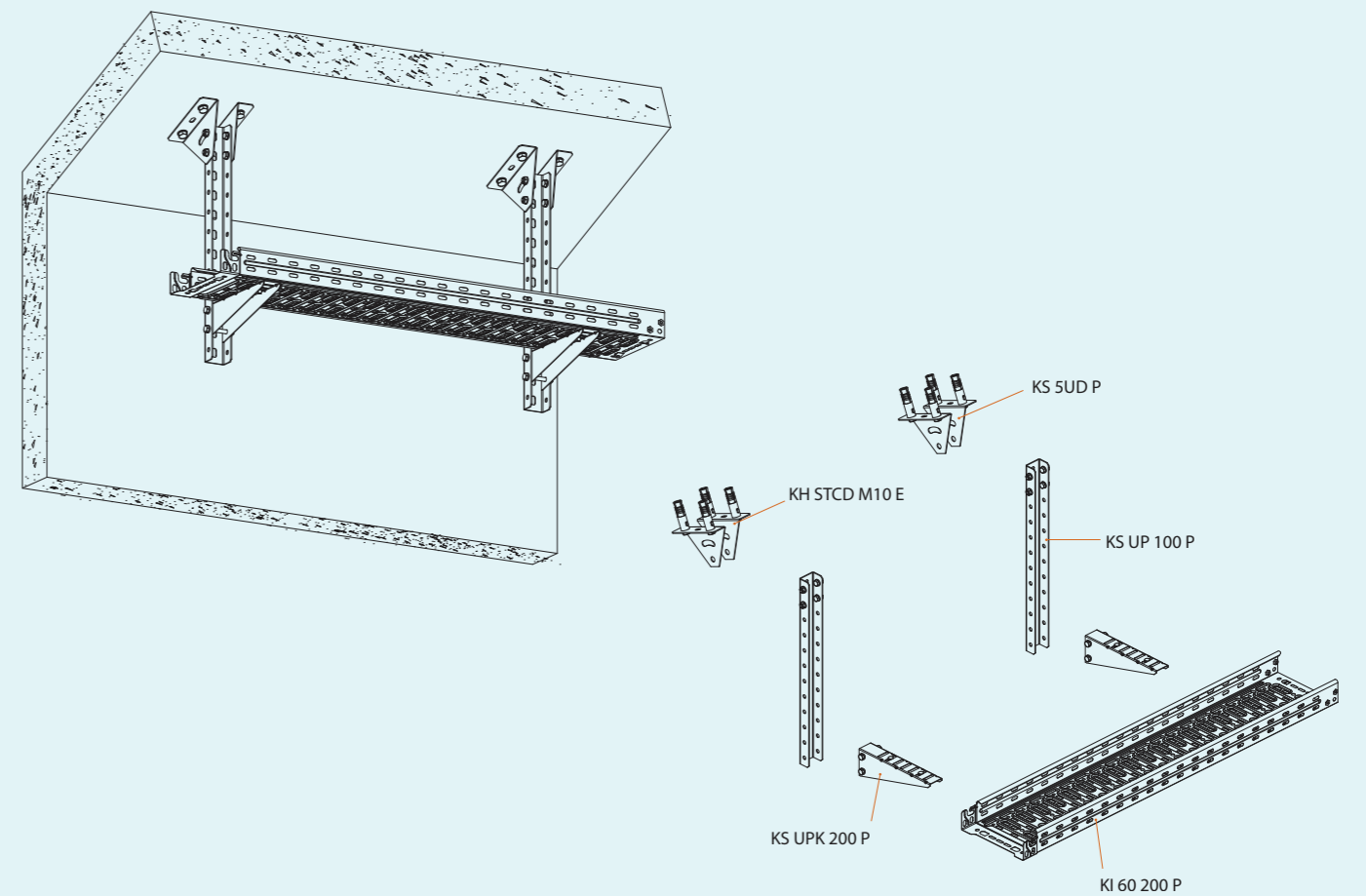
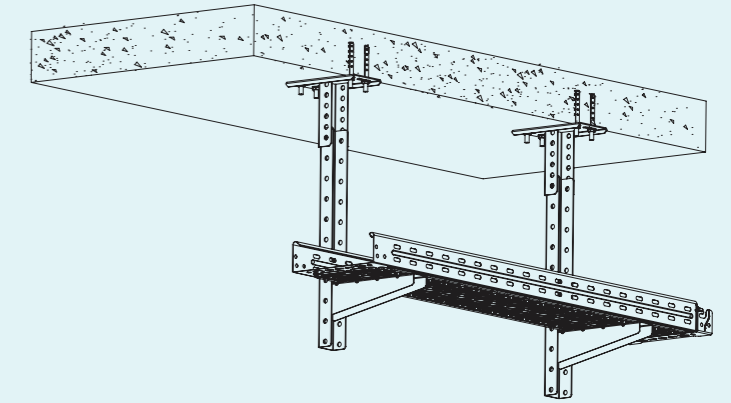
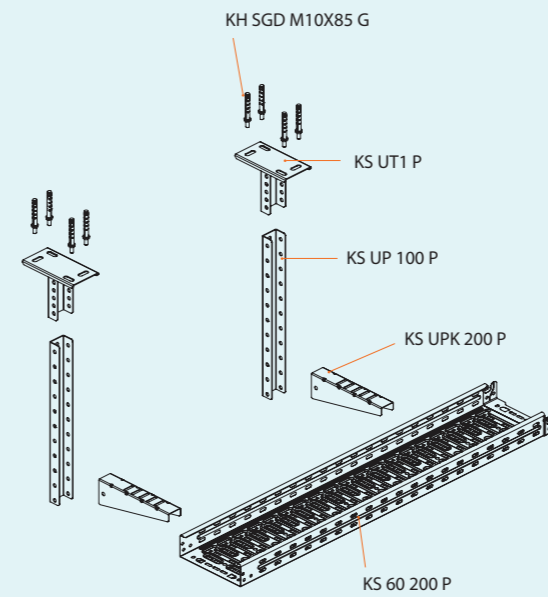
Type Artikelnummer	Thickness Dicke t mm					Weight Gewicht kg/pcs	Min.Package Kleinste VPE
KS 5UD P	2					0,270	1 pcs
KS 5UD S	2					0,270	1 pcs

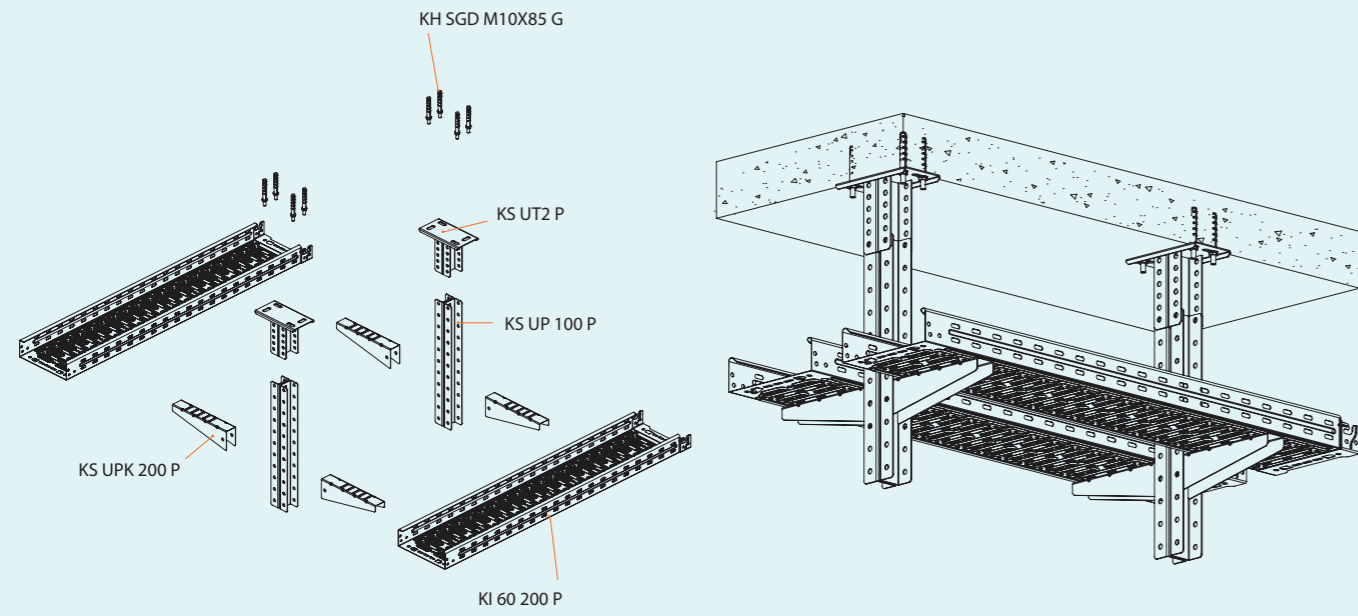
P Pregalvanized / Bandverzinkt

S Hot Dip Galvanized / Feuerverzinkt

Variable head plate for U profiles. The head plate is fixed to the U profile using 2 x KH AKBPS M8. For ceiling installation 3 x KH SGD M10 are used. Fasteners are included.

Die variable Kopfplatte wird an dem U-Profil mit 2 x KH AKBPS M8 befestigt. Zur Deckenmontage werden 3 x KH SGD M10 benötigt. Verbindungselemente im Lieferumfang enthalten.



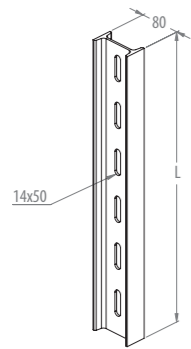


I 80 Profile Systems

I 80-Profil Systeme



I 80 Profile / I 80 - Profil



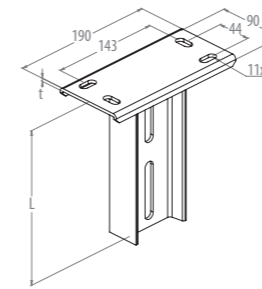
Type Artikelnummer	Length Länge L mm	Thickness Dicke t mm	Quality Qualität	Weight Gewicht kg/pcs	Min.Package Kleinste VPE
KS I80P 050 S	500	4	DIN 1025	2,970	1 pcs
KS I80P 100 S	1000	4	DIN 1025	5,940	1 pcs
KS I80P 150 S	1500	4	DIN 1025	8,910	1 pcs
KS I80P 200 S	2000	4	DIN 1025	11,880	1 pcs
KS I80P 300 S	3000	4	DIN 1025	17,820	1 pcs
KS I80P 600 S	6000	4	DIN 1025	35,640	1 pcs

S Hot Dip Galvanized / Feuerverzinkt

I 80 profile in fixed lengths.

I 80-Profil in vorgegebenen Längen.

I 80 Head Plate / Kopfplatte für I 80 - Profil



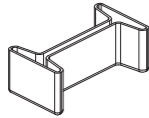
Type Artikelnummer	Length Länge L mm	Thickness Dicke t mm	Weight Gewicht kg/pcs	Min.Package Kleinste VPE
KS I80TEP 050 S	500	4	3,368	1 pcs
KS I80TEP 100 S	1000	4	6,152	1 pcs
KS I80TEP 150 S	1500	4	8,936	2 pcs
KS I80TEP 200 S	2000	4	11,720	3 pcs
KS I80TEP 250 S	2500	4	14,504	4 pcs
KS I80TEP 300 S	3000	4	17,288	5 pcs

S Hot Dip Galvanized / Feuerverzinkt

Head plate for I 80 profiles. For ceiling installation 4x KH SGD M10 are used. Fasteners are included.

Die Kopfplatte für I 80-Profile. Zur Deckenmontage werden 4 x KH SGD M10 benötigt. Verbindungselemente im Lieferumfang enthalten.

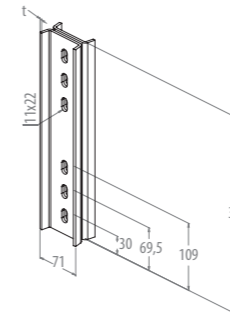
I 80 Profile Protective Cap / Schutzkappe, I 80 - Profil



Type Artikelnummer	Min.Package Kleinste VPE
KH I80PC	10

PE Polyethylene / Polyethylen

I 80 Connector / Verbinder, I 80



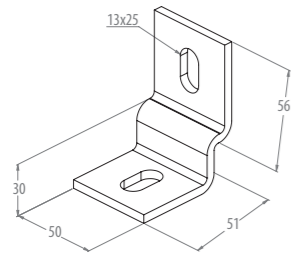
Type Artikelnummer	Thickness Dicke t mm	Weight Gewicht kg/pcs	Min.Package Kleinste VPE
KS I80EK S	4	0,876	1 pcs

S Hot Dip Galvanized / Feuerverzinkt

Connector for I 80 profiles. For installation use 4 x KH AKBPS M10. Fasteners are included.

Zur Verbindung der I 80-Profile werden Verbinder sowie 4 x KH AKBPS M10 benötigt. Verbindungselemente im Lieferumfang enthalten.

I 80 Mounting Bracket / Befestigungswinkel, I 80



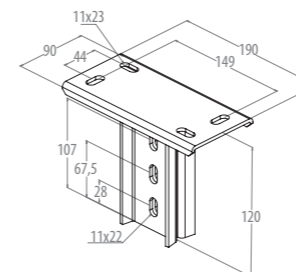
Type Artikelnummer	Thickness Dicke t mm	Weight Gewicht kg/pcs	Min.Package Kleinste VPE
KS I80DB S	4	0,181	10 pcs

S Hot Dip Galvanized / Feuerverzinkt

Mounting brackets for wall mounting of I 80 profiles. The mounting bracket is fixed to the I 80 profile using 1 x KH AKBPS M10. For wall installation 1 x KH SGD M12 is used. Fasteners are included.

Befestigungswinkel für I 80-Profile. Der Befestigungswinkel wird an dem I 80-Profil mit 1 x KH AKBPS M10 befestigt. Zur Montage an Wänden wird 1 x KH SGD M12 benötigt. Verbindungselemente im Lieferumfang enthalten.

I 80 Head Plate / Kopfplatte für I 80 - Profil



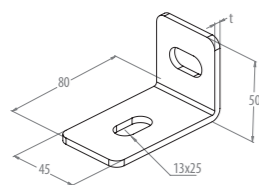
Type Artikelnummer	Thickness Dicke t mm	Weight Gewicht kg/pcs	Min.Package Kleinste VPE
KS I80TE S	4	1,402	1 pcs

S Hot Dip Galvanized / Feuerverzinkt

Head plate for I 80 profiles. The head plate is fixed to the I 80 profile using 2 x KH AKBPS M10. For ceiling installation 4 x KH SGD M10 are used. Fasteners are included.

Die Kopfplatte wird an dem I 80-Profil mit 2 x KH AKBPS M10 befestigt. Zur Deckenmontage werden 4 x KH SGD M10 benötigt. Verbindungselemente im Lieferumfang enthalten.

I 80 Mounting Bracket / Befestigungswinkel, I 80



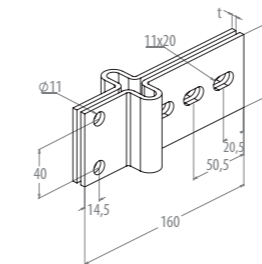
Type Artikelnummer	Thickness Dicke t mm	Weight Gewicht kg/pcs	Min.Package Kleinste VPE
KS I80DTB S	4	0,116	10 pcs

S Hot Dip Galvanized / Feuerverzinkt

Mounting brackets for wall mounting of I 80 profiles. The mounting bracket is fixed to the I 80 profile using 1 x KH AKBPS M10. For wall installation 1 x KH SGD M12 is used. Fasteners are included.

Befestigungswinkel für I 80-Profile. Der Befestigungswinkel wird an dem I 80-Profil mit 1 x KH AKBPS M10 befestigt. Zur Montage an Wänden wird 1 x KH SGD M12 benötigt. Verbindungselemente im Lieferumfang enthalten.

I 80 T Connector / T-Verbinder, I 80



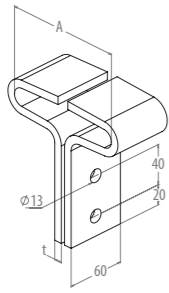
Type Artikelnummer	Thickness Dicke t mm	Weight Gewicht kg/pcs	Min.Package Kleinste VPE
KS I80YEK S	4	0,339	1 pcs

S Hot Dip Galvanized / Feuerverzinkt

T connector for right angle connection. For installation, use 5 x KH AKBPS M10. Fasteners are included.

Der T-Verbinder stellt 90°-Verbindungen her. Zur Befestigung werden 5 x KH AKBPS M10 benötigt. Verbindungselemente im Lieferumfang enthalten.

I 80 Support Claw / Trägerklaue, I 80

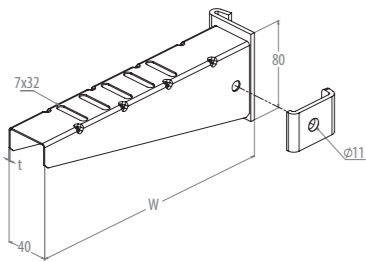


Type Artikelnummer	Length Länge A mm	Thickness Dicke t mm				Weight Gewicht kg/pcs	Min.Package Kleinste VPE
KS I80AP 200 S	90	4				0,672	5
KS I80AP 260 S	113	4				0,749	5
KS I80AP 300 S	125	4				0,883	5

S Hot Dip Galvanized / Feuerverzinkt

Support claws for right angle connection. For installation, use 2 x KH AKBPS M10. Fasteners are included. *Die Trägerklaue stellt 90°-Verbindungen her. Zur Befestigung werden 2 x KH AKBPS M10 benötigt. Verbindungselemente im Lieferumfang enthalten.*

I 80 Support Bracket / Stielausleger, I 80

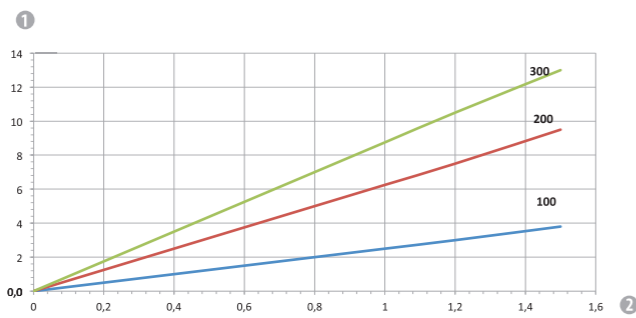


Type Artikelnummer	Width Breite W mm	Thickness Dicke t mm				Weight Gewicht kg/pcs	Min.Package Kleinste VPE
KS I80K 100 S	130	2				0,380	1
KS I80K 200 S	230	2				0,489	1
KS I80K 300 S	330	2				0,597	1

S Hot Dip Galvanized / Feuerverzinkt

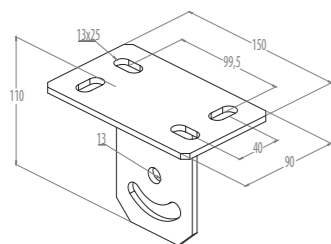
The support bracket can be installed to both sides of the I 80 profile. For installation, use 1 x KH AKBPS M10. Fasteners are included. *Dieser Stielausleger kann an beiden Seiten des I 80-Profiles montiert werden. Zur Befestigung wird 1 x KH AKBPS M10 benötigt. Verbindungselemente im Lieferumfang enthalten.*

Loading Capacity Details / Belastungsangaben



- ① Bending of the end of the bracket in mm at permitted bracket load / Durchbiegung in mm an der Auslegerspitze
- ② Permitted bracket load in kN without man load / zul Belastung in kN ohne Mannlast
- Load curves with bracket lengths in mm / Belastungskurven für Auslegerlängen in mm

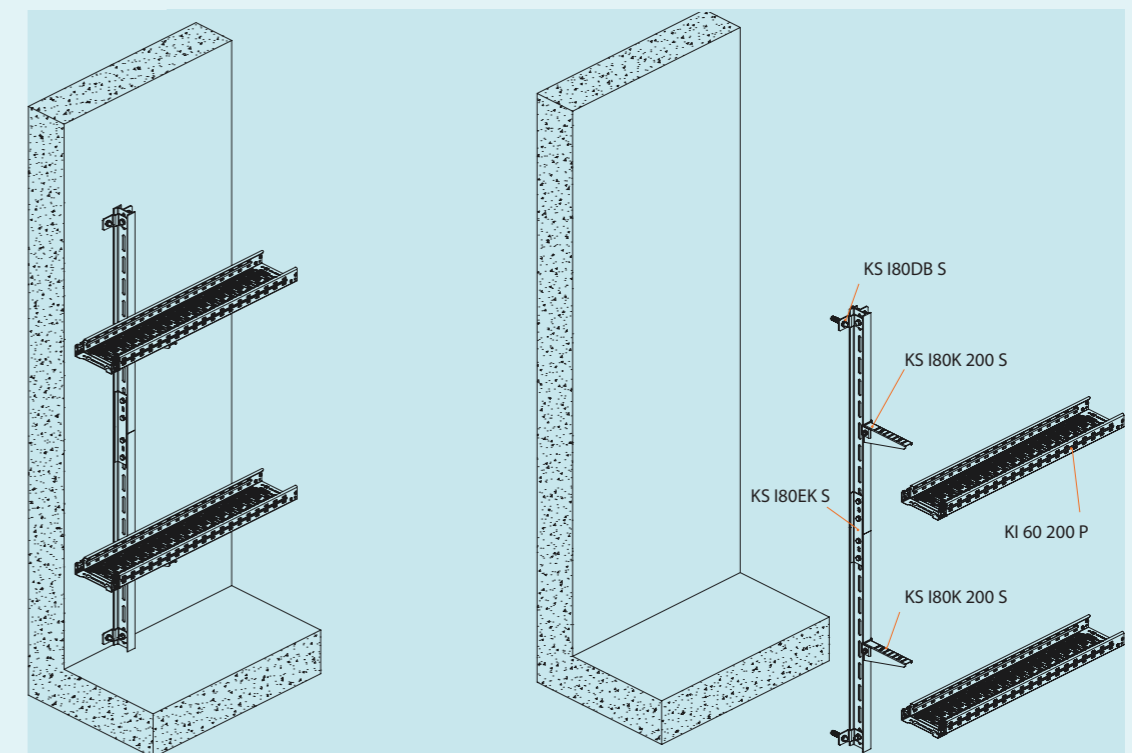
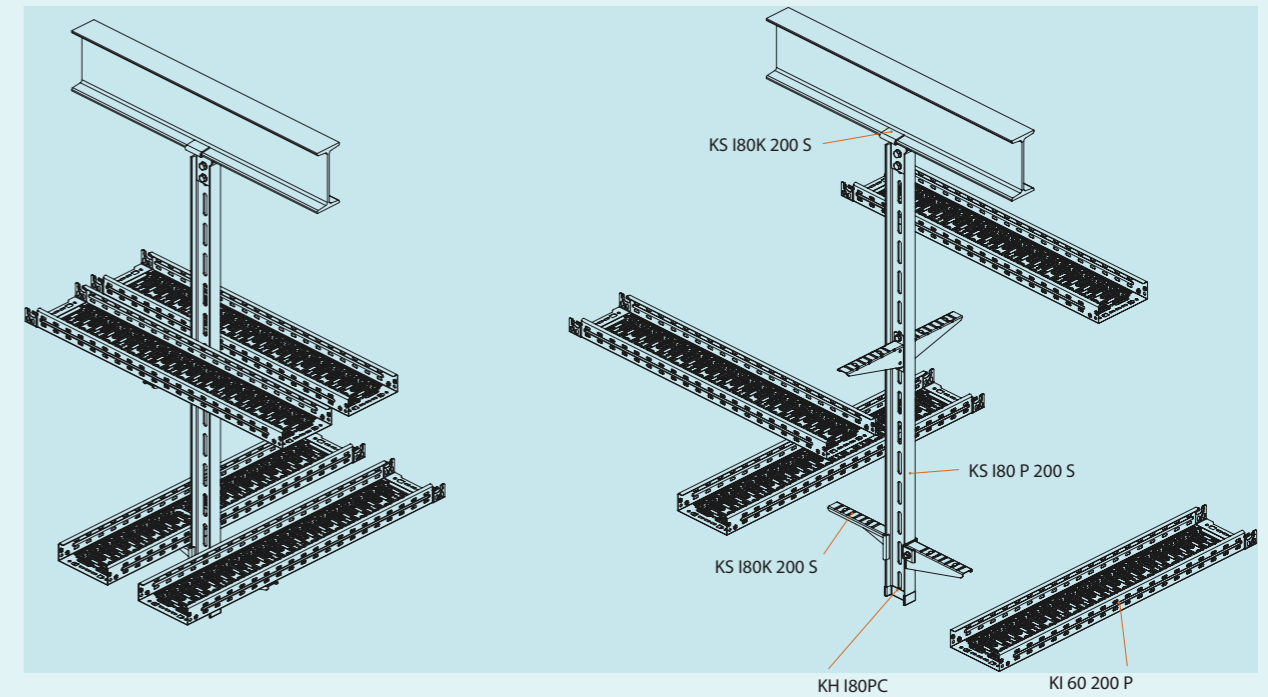
I 80 Variable Head Plate / I 80-Kopfplatte, variabel

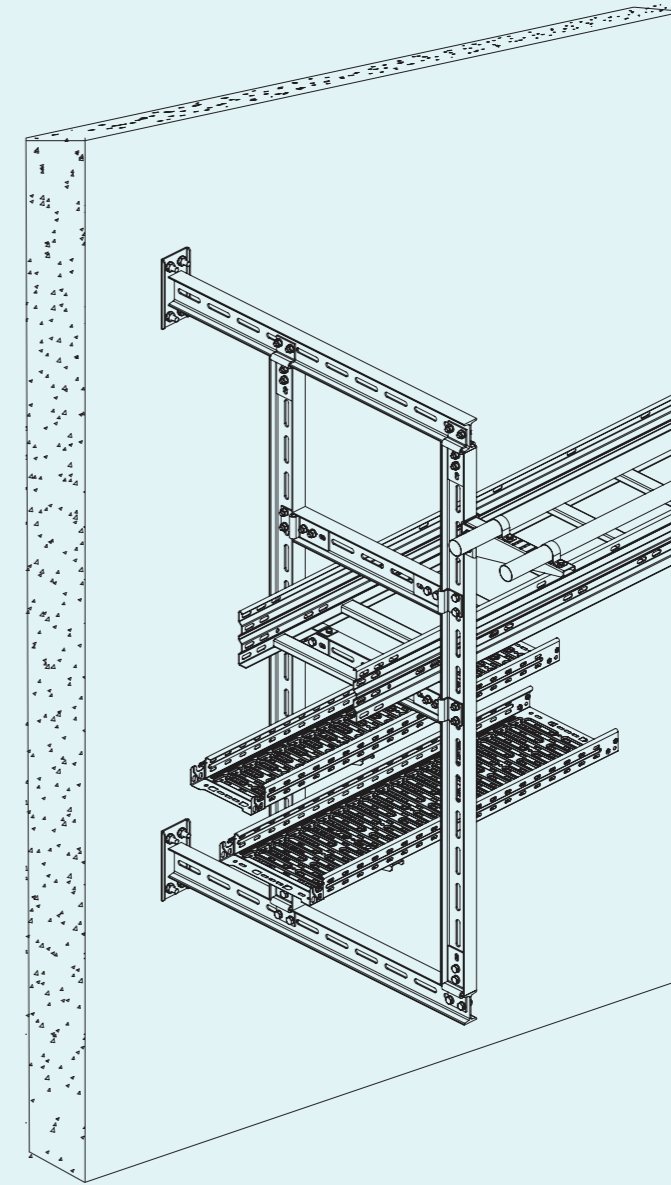
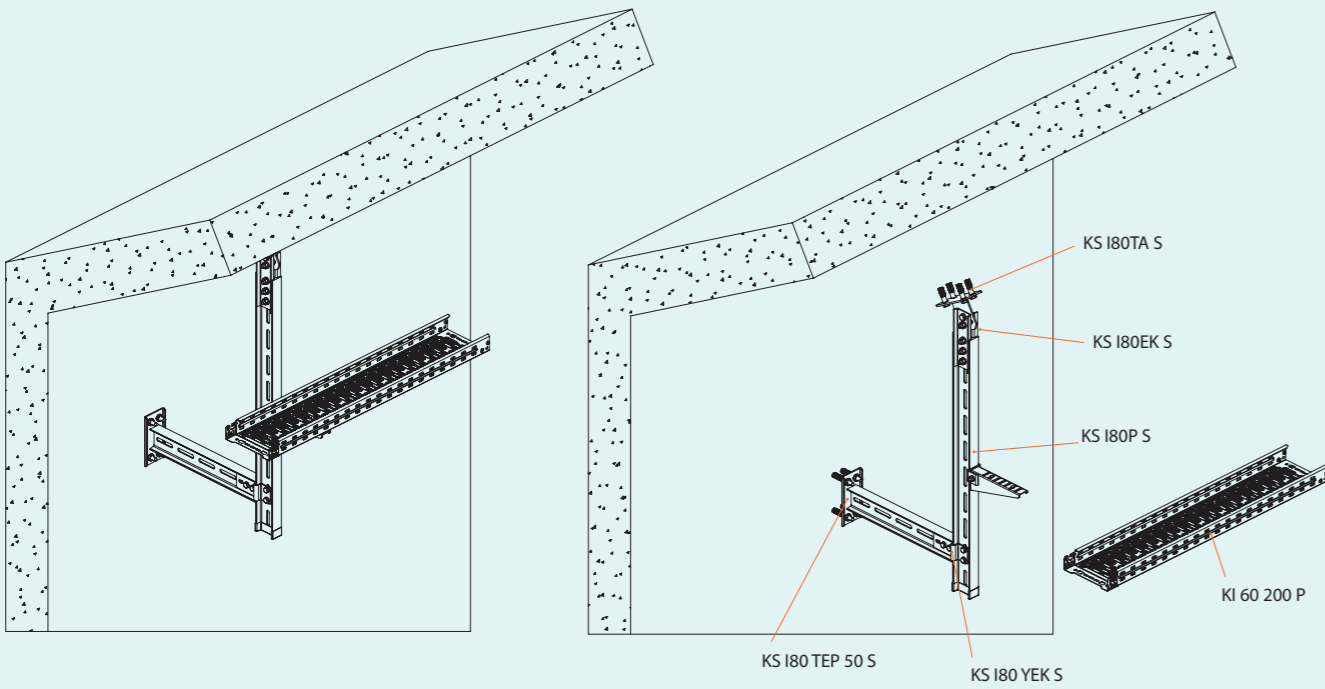
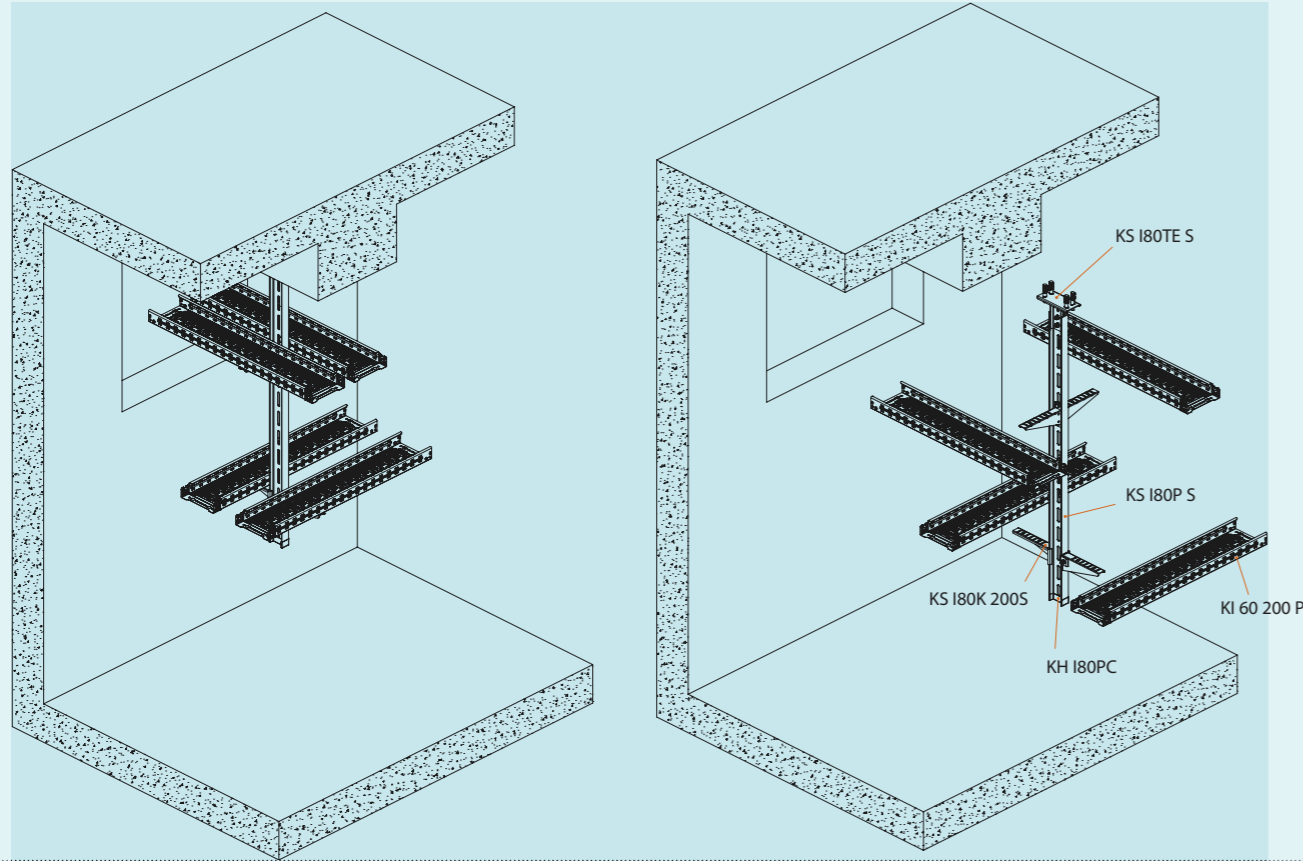


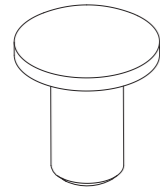
Type Artikelnummer	Thickness Dicke t mm					Weight Gewicht kg/pcs	Min.Package Kleinste VPE
KS I80TA S	5					0,940	1

S Hot Dip Galvanized / Feuerverzinkt

Variable head plate for I 80 profiles. The variable head plate is fixed to the I 80 profile using 2 x KH AKBPS M10. For ceiling installation 4 x KH SGD M10 are used. Fasteners are included. *Die variable Kopfplatte wird an dem I 80-Profil mit 2 x KH AKBPS M10 befestigt. Zur Deckenmontage werden 4 x KH SGD M10 benötigt. Verbindungselemente im Lieferumfang enthalten.*







Mushroom Head Bolt / Rundkopfschraube

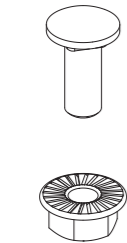
Type Artikelnummer	Length Länge L mm	Thread Gewinde mm	Quality Qualität	Weight Gewicht kg/pcs	Min.Package Kleinste VPE
KH BB M6X15 E	15	6	DIN603	0,004	100 pcs

E Elektrogalvanized / Galvanisch verzinkt

Mushroom Head Bolt with Flange Nut / Rundkopfschraube mit Flanschmutter

Type Artikelnummer	Min.Package Kleinste VPE
KH BBFS M6	50 pcs

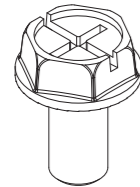
E Elektrogalvanized / Galvanisch verzinkt



Flange Bolt / Flanschschraube

Type Artikelnummer	Length Länge L mm	Thread Gewinde mm	Weight Gewicht kg/pcs	Min.Package Kleinste VPE
KH AKF M6X12 E	20	6	0,009	100 pcs

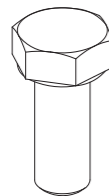
E Elektrogalvanized / Galvanisch verzinkt



Hexagonal Bolt / Sechskantschraube

Type Artikelnummer	Length Länge L mm	Thread Gewinde mm	Quality Qualität	Weight Gewicht kg/pcs	Min.Package Kleinste VPE
KH AKB M8X20 E	20	8	DIN933	0,010	100 pcs
KH AKB M10X30 E	30	10	DIN933	0,026	100 pcs

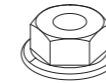
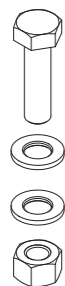
E Elektrogalvanized / Galvanisch verzinkt



Hexagonal Bolt with Nut and Washers / Sechskantschraube mit Mutter und Unterlegscheiben

Type Artikelnummer	Min.Package Kleinste VPE
KH AKBPS M8	50 pcs
KH AKBPS M10	50 pcs

E Elektrogalvanized / Galvanisch verzinkt



Flange Nut / Flanschmutter

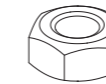
Type Artikelnummer	Thread Gewinde mm	Quality Qualität	Weight Gewicht kg/pcs	Min.Package Kleinste VPE
KH FS M6 E	6	DIN6923	0,003	100 pcs
KH FS M8 E	8	DIN6923	0,004	100 pcs

E Elektrogalvanized / Galvanisch verzinkt

Hexagonal Nut / Sechskantmutter

Type Artikelnummer	Thread Gewinde mm	Quality Qualität	Weight Gewicht kg/pcs	Min.Package Kleinste VPE
KH S M6 E	6	DIN934	0,002	500 pcs
KH S M8 E	8	DIN934	0,004	500 pcs
KH S M10 E	10	DIN934	0,010	250 pcs

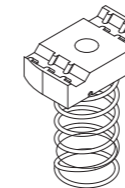
E Elektrogalvanized / Galvanisch verzinkt



Spring Nut / Federmutter

Type Artikelnummer	Thread Gewinde mm	Quality Qualität	Weight Gewicht kg/pcs	Min.Package Kleinste VPE
KH YS M8 E	8	DIN6334	0,037	100 pcs
KH YS M10 E	10	DIN6334	0,044	100 pcs

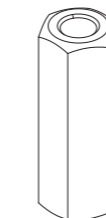
E Elektrogalvanized / Galvanisch verzinkt



Bushing / Verbindungsmuffe

Type Artikelnummer	Thread Gewinde mm	Quality Qualität	Weight Gewicht kg/pcs	Min.Package Kleinste VPE
KH US M8 E	8	DIN6334	0,030	100 pcs
KH US M10 E	10	DIN6334	0,039	100 pcs

E Elektrogalvanized / Galvanisch verzinkt



Washer / Unterlegscheibe

Type Artikelnummer	Thread Gewinde mm	Quality Qualität	Weight Gewicht kg/pcs	Min.Package Kleinste VPE
KH P M6 E	6	DIN125 A	0,006	1000 pcs
KH P M8 E	8	DIN125 A	0,010	1000 pcs
KH P M10 E	10	DIN125 A	0,020	500 pcs

E Elektrogalvanized / Galvanisch verzinkt



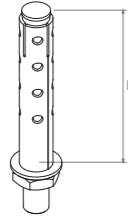
Hexagonal Nut and Washer / Sechskantschraube und Unterlegscheibe



Type Artikelnummer							Min.Package Kleinste VPE
KH PS M8							100 pcs
KH PS M10							100 pcs

E Elektrogalvanized / Galvanisch verzinkt

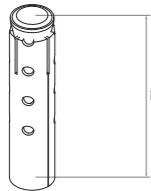
Pull Steel Anchor / Spreizdübel



Type Artikelnummer	Length Länge L mm	Thread Gewinde mm				Weight Gewicht kg/pcs	Min.Package Kleinste VPE
KH SGD M8X55 G	55	8				0,028	100 pcs
KH SGD M10X85 G	85	10				0,069	100 pcs
KH SGD M12X90 G	90	12				0,110	100 pcs

G Geomet Galvanized / Geomet verzinkt

S Type Anchor / Einschlaganker



Type Artikelnummer	Length Länge L mm	Thread Gewinde mm				Weight Gewicht kg/pcs	Min.Package Kleinste VPE
KH STCD M8 E	50	8				0,013	100 pcs
KH STCD M10 E	55	10				0,029	100 pcs

E Elektrogalvanized / Galvanisch verzinkt

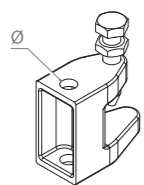
Anchor / Dübel



Type Artikelnummer	Length Länge L mm	Thread Gewinde mm				Weight Gewicht kg/pcs	Min.Package Kleinste VPE
KH CD M8 E	75	8				0,011	100 pcs
KH CD M10 E	85	10				0,021	100 pcs

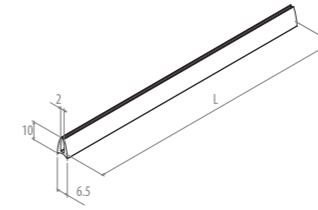
E Elektrogalvanized / Galvanisch verzinkt

Beam Clamp / Flanschklammer



Type Artikelnummer	Thread Gewinde mm					Weight Gewicht kg/pcs	Min.Package Kleinste VPE
KH M8	8					0,085	100

E Elektrogalvanized / Galvanisch verzinkt



Edge Protection Strip / Kantenschutzband

Type Artikelnummer	Thread Gewinde mm					Weight Gewicht kg/pcs	Min.Package Kleinste VPE
KH GC	8					0,085	100

PVC Polyvinylchloride / Polyvinylchlorid

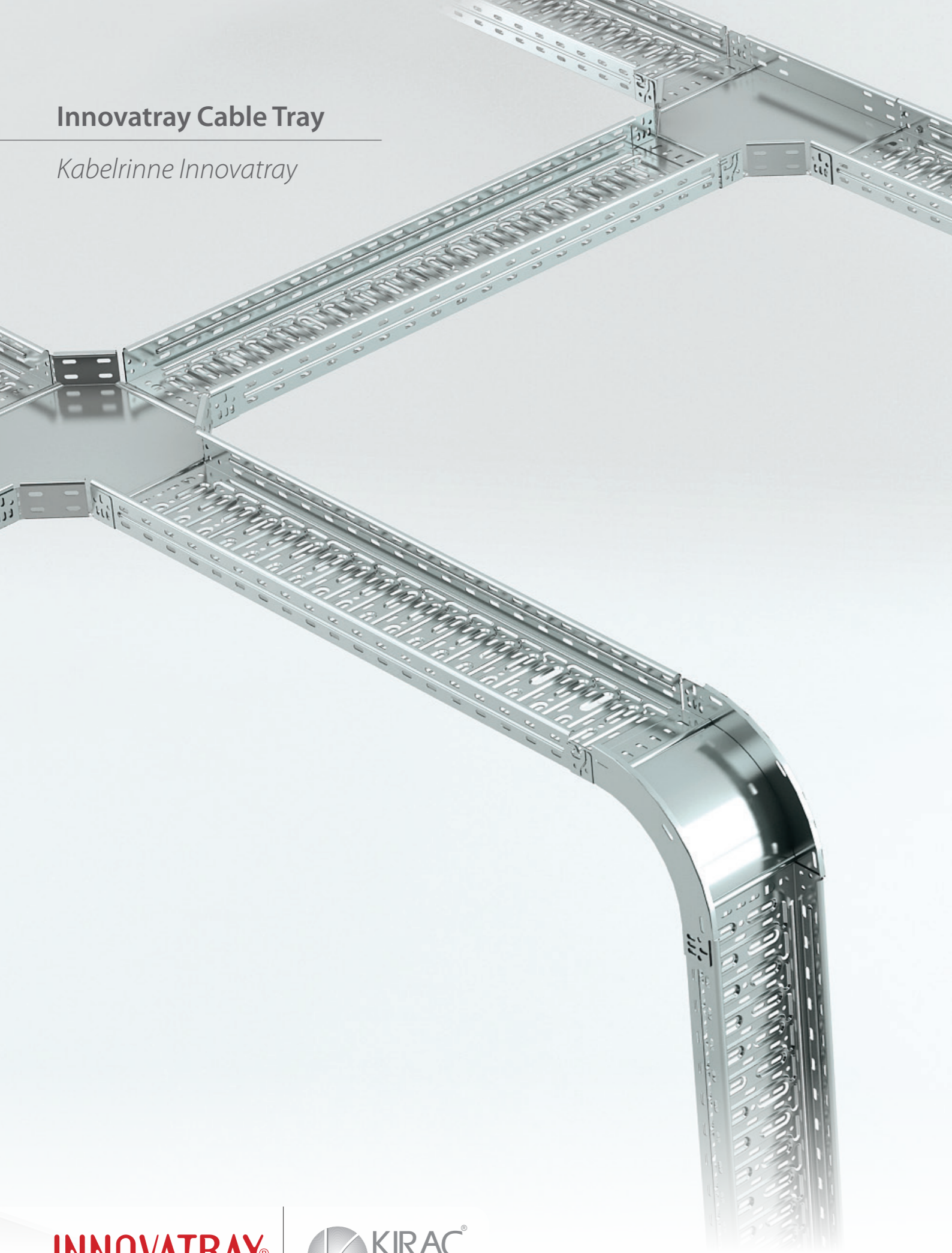
Zinc Spray / Zinkspray



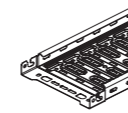
Type Artikelnummer						Weight Gewicht kg/pcs	Min.Package Kleinste VPE
KH ZS						400	5

Innovatray Cable Tray

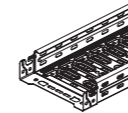
Kabelrinne Innovatray



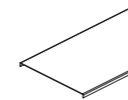
Innovatray Cable Tray / Kabelrinne Innovatray



Side Height 35mm / Seitenhöhe 35mm



Side Height 60mm / Seitenhöhe 60mm



Accessories 35mm, 60mm / Zubehör 35mm,60mm

INNOVATRAY®



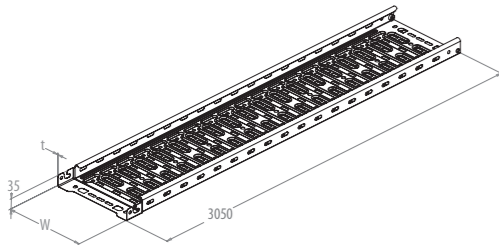
Side Height 35mm / Seitenhöhe 35mm

Type Artikelnummer	Width Breite W mm	Thickness Dicke t mm	Loading Capacity Zul.Belastung 1,5m kN/m	Loading Capacity Zul. Belastung 2m kN/m	Loading Capacity Zul.Belastung 2,5m kN/m	Weight Gewicht kg/pcs	Min.Package Kleinste VPE
KI 35 100 P	100	0,7	0,74	0,37	0,28	3,158	1 Pcs
KI 35 200 P	200	0,7	0,79	0,39	0,28	4,851	1 Pcs
KI 35 300 P	300	0,7	0,88	0,41	0,30	6,351	1 Pcs

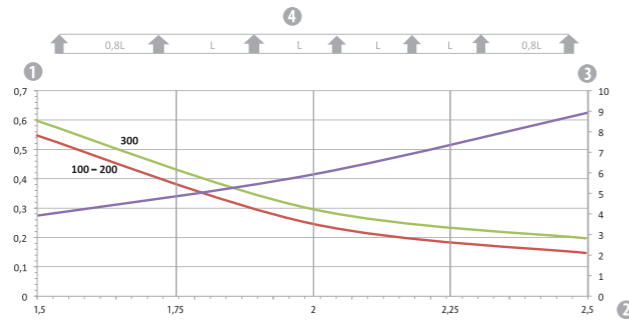
P Pregalvanized / Bandverzinkt

Cable tray with quick connection system. The tray has oval perforations of 7x20 for cable ventilation and easy installation of accessories. Flanges have full round smooth edges. The continuous equipotential bonding is guaranteed without additional components.

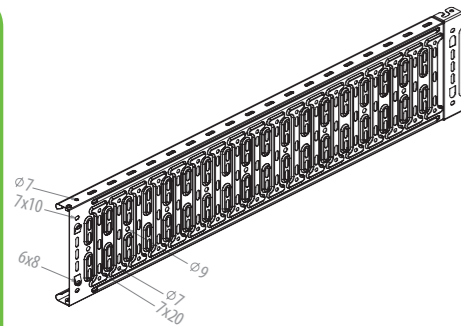
Kabelrinnenserie mit Schnellmontagesystem und ovalen Öffnungen von 7x20 zur Kabelbelüftung und problemlosem Anschluss von Abhängungen. Alle Flanschanten sind abgerundet. Der durchgängige Potentialausgleich ist ohne Zusatzbauteile gewährleistet.



Loading Capacity Details / Belastungsangaben



- 1 Permitted cable tray / ladder load in kN/m without man load / zul. Kabelrinnen-/leiterbelastung in kN/m ohne Mannlast
- 2 Support width in m / Stützweite in m
- 3 Deflection in mm at permitted kN/m / Holmdurchbiegung in mm bei zul.kN/m
- 4 Load scheme during testing / Belastungsschema beim Prüfverfahren
- Load curve with cable tray width in mm / Belastungskurve mit Kabelrinnenbreite in mm
- Deflection curve according to support width / Holmdurchbiegungskurve je nach Stützweite



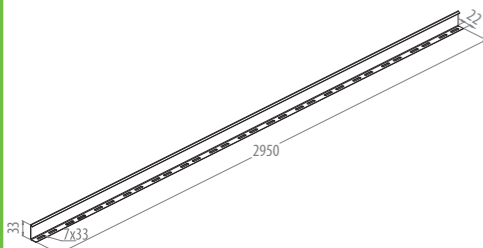
Barrier Strip / Trennsteg

Type Artikelnummer	Thickness Dicke t mm	Weight Gewicht kg/pcs	Min.Package Kleinste VPE
KI 35 SEP P	0,7	1,434	5 Pcs

P Pregalvanized / Bandverzinkt

Barrier strips are used for separation of cables. The standard length of the barrier strips is 2950 mm. Barrier strips is fixed to the cable tray with mounting clamps. Mounting clamps are included.

Trennsteg dienen zur separaten Verlegung von Kabeln. Die Länge der Trennsteg beträgt 2950mm. Trennsteg werden an den Kabelrinnen mit Befestigungsklemmen montiert. Befestigungsklemmen im Lieferumfang enthalten.



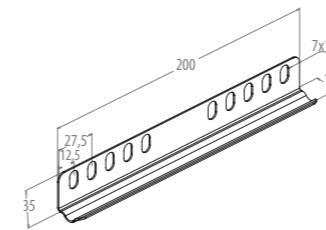
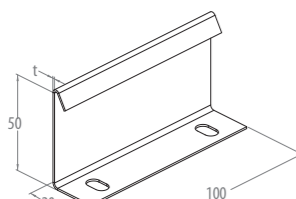
Barrier Strip Connector / Trennstegverbinder

Type Artikelnummer	Thickness Dicke t mm	Weight Gewicht kg/pcs	Min.Package Kleinste VPE
KI 35 SEK P	0,7	0,034	5 Pcs

P Pregalvanized / Bandverzinkt

Barrier strip connector for screwless connection of the barrier strips.

Trennstegverbinder zur schraubenlosen Verbindung der Trennsteg.



Straight Connector / Verbinder

Type Artikelnummer	Thickness Dicke t mm	Weight Gewicht kg/pcs	Min.Package Kleinste VPE
KI 35 EK P	1	0,062	50 Pcs

P Pregalvanized / Bandverzinkt

Straight connectors are used to join cable trays and accessories. For installation use 4 x KH BBFS M6. Fasteners are included.

Verbindet die Kabelrinnen untereinander und mit den Zubehörteilen. Zur Befestigung werden 4 x KH BBFS M6 benötigt. Verbindungselemente im Lieferumfang enthalten.

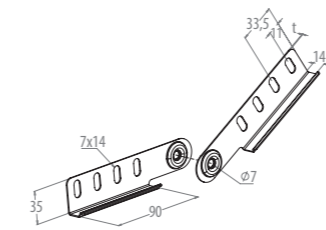
Vertical Adjustable Connector / Flexibler Vertikalverbinder

Type Artikelnummer	Thickness Dicke t mm	Weight Gewicht kg/pcs	Min.Package Kleinste VPE
KI 35 DSD P	1	0,082	10 Pcs

P Pregalvanized / Bandverzinkt

Vertical adjustable connectors are used to make random angle connections between sections of trays. To install use 5 x KH BBFS M6. Fasteners are included.

Mit dem flexiblen Vertikalverbinder können die Kabelrinnen in einem beliebigen Winkel verlegt werden. Zur Befestigung werden 5 x KH BBFS M6 benötigt. Verbindungselemente im Lieferumfang enthalten.



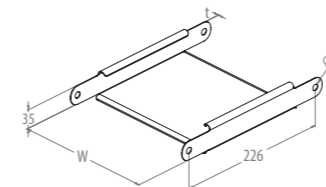
Adjustable Vertical Bend Element / Gelenkstück

Type Artikelnummer	Width Breite W mm	Thickness Dicke t mm	Weight Gewicht kg/pcs	Min.Package Kleinste VPE
KI 35 IDS 100 P	100	1	0,296	10 Pcs
KI 35 IDS 200 P	200	1	0,412	10 Pcs
KI 35 IDS 300 P	300	1	0,529	10 Pcs

P Pregalvanized / Bandverzinkt

Adjustable vertical bend element. 2 x KH BBFS M6 are included. Vertical adjustable connectors should be ordered separately.

Gelenkstück. 2 x KH BBFS M6 im Lieferumfang enthalten. Flexibler Vertikalverbinder sind separat zu bestellen.



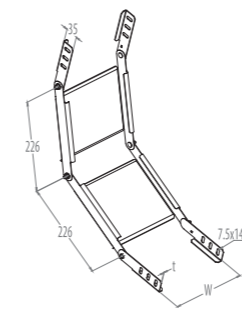
Adjustable Vertical Bend / Gelenkbogen

Type Artikelnummer	Width Breite W mm	Thickness Dicke t mm	Weight Gewicht kg/pcs	Min.Package Kleinste VPE
KI 35 IDSD 100 P	100	1	0,594	10 Pcs
KI 35 IDSD 200 P	200	1	0,830	10 Pcs
KI 35 IDSD 300 P	300	1	1,060	10 Pcs

P Pregalvanized / Bandverzinkt

The adjustable vertical bend is shipped in an unmounted state. For installation use 14 x KH BBFS M6. Fasteners are included.

Der Gelenkbogen wird im unmontierten Zustand geliefert. Zur Befestigung werden 14 x KH BBFS M6 benötigt. Verbindungselemente im Lieferumfang enthalten.



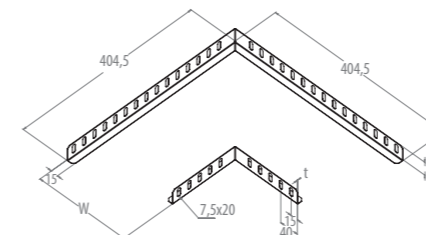
Horizontal Adjustable Connector / Flexibler Horizontalverbinder

Type Artikelnummer	Thickness Dicke t mm	Weight Gewicht kg/pcs	Min.Package Kleinste VPE
KI 35 YSD P	1	0,362	10 Pcs

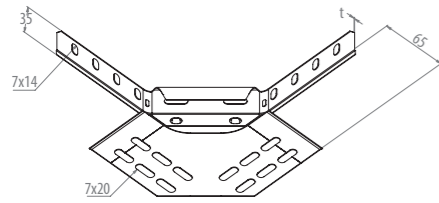
P Pregalvanized / Bandverzinkt

Horizontal adjustable connectors are used to make random-angle connections between sections of trays. For installation use 8 x KH BBFS M6. Fasteners are included.

Mit dem flexiblen Horizontalverbinder können die Kabelrinnen in einem beliebigen Winkel verlegt werden. Zur Befestigung werden 8 x KH BBFS M6 benötigt. Verbindungselemente im Lieferumfang enthalten.



Corner Connector / Eckverbinder

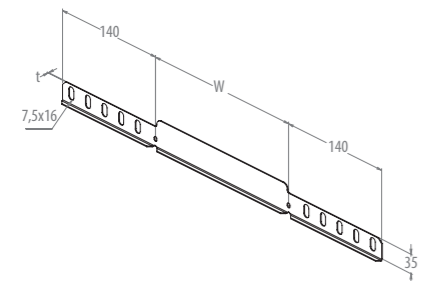


Type Artikelnummer	Thickness Dicke t mm	Weight Gewicht kg/pcs	Min.Package Kleinste VPE
KI 35 YKB P	0,7	0,132	1 Pcs

Pregalvanized / Bandverzinkt

Corner connector for cable trays. For installation use 8 x KH BBFS M6. Fasteners are included. *Eckverbinder für Kabelrinnen. Zur Befestigung werden 8 x KH BBFS M6 benötigt. Verbindungselemente im Lieferumfang enthalten.*

End Cap - Reducer / Endkappe - Reduzierstück

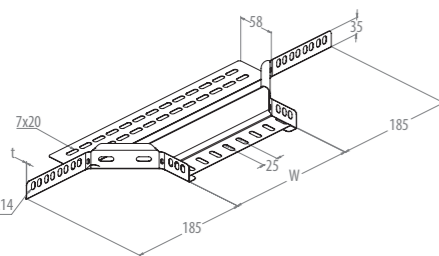


Type Artikelnummer	Width Breite W mm	Thickness Dicke t mm	Weight Gewicht kg/pcs	Min.Package Kleinste VPE
KI 35 SON 050 P	50	1	0,060	1 Pcs
KI 35 SON 100 P	100	1	0,080	1 Pcs
KI 35 SON 200 P	200	1	0,120	1 Pcs
KI 35 SON 300 P	300	1	0,158	1 Pcs

Pregalvanized / Bandverzinkt

End caps/reducers are used both as termination of open ends of cable trays and to reduce the width of cable trays. To install use 4 x KH BBFS M6. Fasteners are included. *Endkappen/Reduzierstücke werden als Abschluss und zur Breitenreduzierung von Kabelrinnen eingesetzt. Zur Befestigung werden 4 x KH BBFS M6 benötigt. Verbindungselemente im Lieferumfang enthalten.*

Extension T Bend / Anbau T-Stück

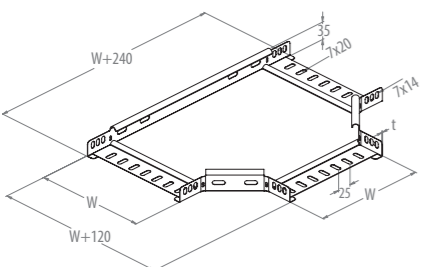


Type Artikelnummer	Width Breite W mm	Thickness Dicke t mm	Weight Gewicht kg/pcs	Min.Package Kleinste VPE
KI 35 YTD 100 P	100	0,7	0,220	1 Pcs
KI 35 YTD 200 P	200	0,7	0,379	1 Pcs
KI 35 YTD 300 P	300	0,7	0,437	1 Pcs

Pregalvanized / Bandverzinkt

Extension T bends are used to turn the tray system on the same plane. To install use 14 x KH BBFS M6. Fasteners are included. *Das Anbau-T-Stück ermöglicht die horizontale Verzweigung der Kabelrinnen. Zur Befestigung werden 14 x KH BBFS M6 benötigt. Verbindungselemente im Lieferumfang enthalten.*

T Bend / T-Stück

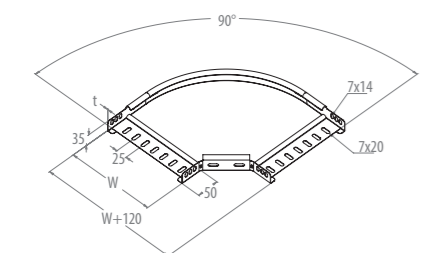


Type Artikelnummer	Width Breite W mm	Thickness Dicke t mm	Weight Gewicht kg/pcs	Min.Package Kleinste VPE
KI 35 TD 100 P	100	1	0,464	1 Pcs
KI 35 TD 200 P	200	1	0,854	1 Pcs
KI 35 TD 300 P	300	1	1,354	1 Pcs

Pregalvanized / Bandverzinkt

T bends are used to turn the tray system on the same plane. To install use 12 x KH BBFS M6. Fasteners are included. *Das T-Stück ermöglicht die Verzweigung der Kabelrinnen auf der horizontalen Ebene. Zur Befestigung werden 12 x KH BBFS M6 benötigt. Verbindungselemente im Lieferumfang enthalten.*

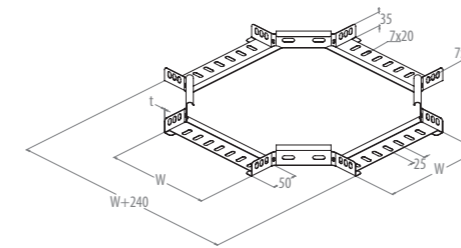
90° Bend / 90° Bogen



Type Artikelnummer	Width Breite W mm	Thickness Dicke t mm	Weight Gewicht kg/pcs	Min.Package Kleinste VPE
KI 35 YD 100 P	100	0,7	0,399	1 Pcs
KI 35 YD 200 P	200	0,7	0,644	1 Pcs
KI 35 YD 300 P	300	0,7	1,037	1 Pcs

Pregalvanized / Bandverzinkt

Used to make a smooth, 90° horizontal change in cable tray direction to turn the tray system to the right or left on the same plane. To install use 8 x KH BBFS M6. Fasteners are included. *Der Bogen ermöglicht es, die Kabelrinne in jede beliebige Richtung zu leiten, entweder nach links oder rechts in einem 90° Winkel. Zur Befestigung werden 8 x KH BBFS M6 benötigt. Verbindungselemente im Lieferumfang enthalten.*



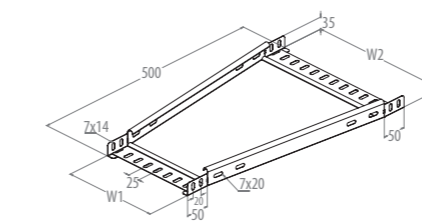
Cross-Over / Kreuzung

Type Artikelnummer	Width Breite W mm	Thickness Dicke t mm	Weight Gewicht kg/pcs	Min.Package Kleinste VPE
KI 35 DD 100 P	100	0,7	0,554	1 Pcs
KI 35 DD 200 P	200	0,7	0,974	1 Pcs
KI 35 DD 300 P	300	0,7	1,500	1 Pcs

Pregalvanized / Bandverzinkt

Cross-over for cable trays. For installation use 16 x KH BBFS M6. Fasteners are included. *Kreuzung für Kabelrinnen. Zur Befestigung werden 16 x KH BBFS M6 benötigt. Verbindungselemente im Lieferumfang enthalten.*

Middle Reducer / Reduzierstück, mittig

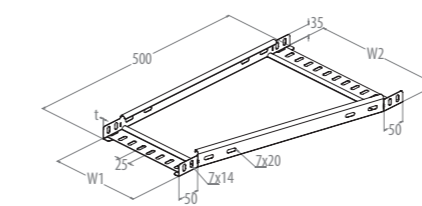


Type Artikelnummer	Width Breite W mm	Width 2 Breite W mm	Thickness Dicke t mm	Weight Gewicht kg/pcs	Min.Package Kleinste VPE
KI 35 RO 200 P	100	200	1	0,710	1 Pcs
KI 35 RO 300 P	200	300	1	0,961	1 Pcs

Pregalvanized / Bandverzinkt

Reducers are used to reduce the width of cable trays. For installation use 8 x KH BBFS M6. Fasteners are included. *Reduzierstück zur Verkleinerung der Verlegetfläche. Zur Befestigung werden 8 x KH BBFS M6 benötigt. Verbindungselemente im Lieferumfang enthalten.*

Left Reducer / Reduzierstück, links

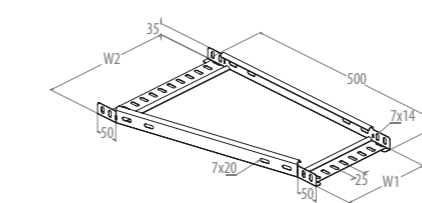


Type Artikelnummer	Width Breite W mm	Width 2 Breite W mm	Thickness Dicke t mm	Weight Gewicht kg/pcs	Min.Package Kleinste VPE
KI 35 RSO 200 P	100	200	1	0,722	1 Pcs
KI 35 RSO 300 P	200	300	1	0,972	1 Pcs

Pregalvanized / Bandverzinkt

Reducers are used to reduce the width of cable trays. For installation use 8 x KH BBFS M6. Fasteners are included. *Reduzierstück zur Verkleinerung der Verlegetfläche. Zur Befestigung werden 8 x KH BBFS M6 benötigt. Verbindungselemente im Lieferumfang enthalten.*

Right Reducer / Reduzierstück, rechts

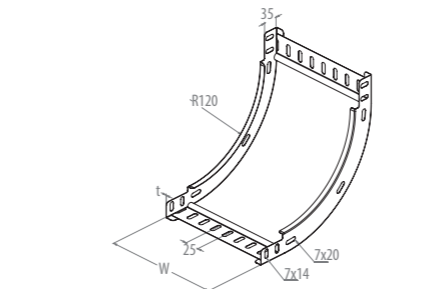


Type Artikelnummer	Width Breite W mm	Width 2 Breite W mm	Thickness Dicke t mm	Weight Gewicht kg/pcs	Min.Package Kleinste VPE
KI 35 RSA 200 P	100	200	1	0,722	1 Pcs
KI 35 RSA 300 P	200	300	1	0,972	1 Pcs

Pregalvanized / Bandverzinkt

Reducers are used to reduce the width of cable trays. For installation use 8 x KH BBFS M6. Fasteners are included. *Reduzierstück zur Verkleinerung der Verlegetfläche. Zur Befestigung werden 8 x KH BBFS M6 benötigt. Verbindungselemente im Lieferumfang enthalten.*

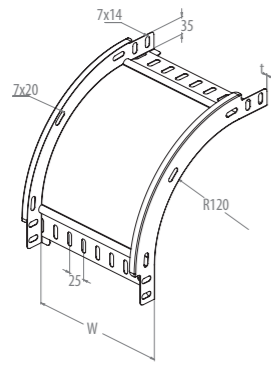
90° Inside Bend / 90°-Steigstück



Type Artikelnummer	Width Breite W mm	Thickness Dicke t mm	Weight Gewicht kg/pcs	Min.Package Kleinste VPE
KI 35 IB 100 P	100	0,7	0,340	1 Pcs
KI 35 IB 200 P	200	0,7	0,528	1 Pcs
KI 35 IB 300 P	300	0,7	0,717	1 Pcs

Pregalvanized / Bandverzinkt

Inside bends are used to change the direction of the tray vertically. For installation use 8 x KH BBFS M6. Fasteners are included. *Mit dem 90°-Steigstück kann die Richtung der Kabelrinne vertikal verändert werden. Zur Befestigung werden 8 x KH BBFS M6 benötigt. Verbindungselemente im Lieferumfang enthalten.*



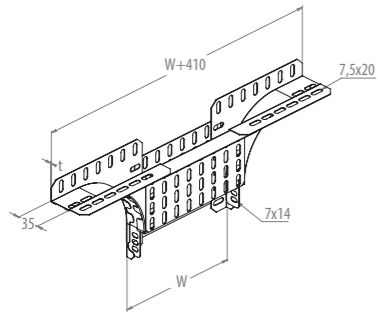
90° Outside Bend / 90°-Fallstück

Type Artikelnummer	Width Breite W mm	Thickness Dicke t mm			Weight Gewicht kg/pcs	Min.Package Kleinste VPE
KI 35 DB 100 P	100	0,7			0,306	1 Pcs
KI 35 DB 200 P	200	0,7			0,476	1 Pcs
KI 35 DB 300 P	300	0,7			0,646	1 Pcs

P Pregalvanized / Bandverzinkt

Outside bends are used to change the direction of the tray vertically. For installation use 8 x KH BBFS M6. Fasteners are included.

Mit dem 90°-Fallstück kann die Richtung der Kabeltrasse vertikal verändert werden. Zur Befestigung werden 8 x KH BBFS M6 benötigt. Verbindungselemente im Lieferumfang enthalten.



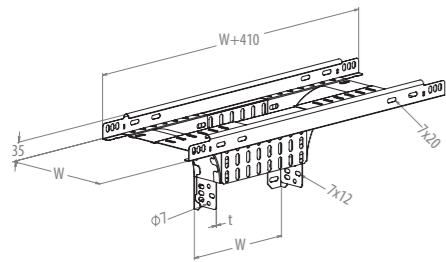
Vertical Extension T Bend / Anbau T-Stück, vertikal

Type Artikelnummer	Width Breite W mm	Width 2 Breite W mm	Thickness Dicke t mm		Weight Gewicht kg/pcs	Min.Package Kleinste VPE
KI 35 DYT 100 P	100	510	1		1,152	1 Pcs
KI 35 DYT 200 P	200	610	1		1,340	1 Pcs
KI 35 DYT 300 P	300	710	1		1,530	1 Pcs

P Pregalvanized / Bandverzinkt

Vertical extension T bends are used to change the direction of the cable tray in the vertical plane. To install use 12 x KH BBFS M6. Fasteners are included.

Mit dem vertikalen Anbau-T-Stück werden Richtungswechsel in der vertikalen Ebene erstellt. Zur Befestigung werden 12 x KH BBFS M6 benötigt. Verbindungselemente im Lieferumfang enthalten.



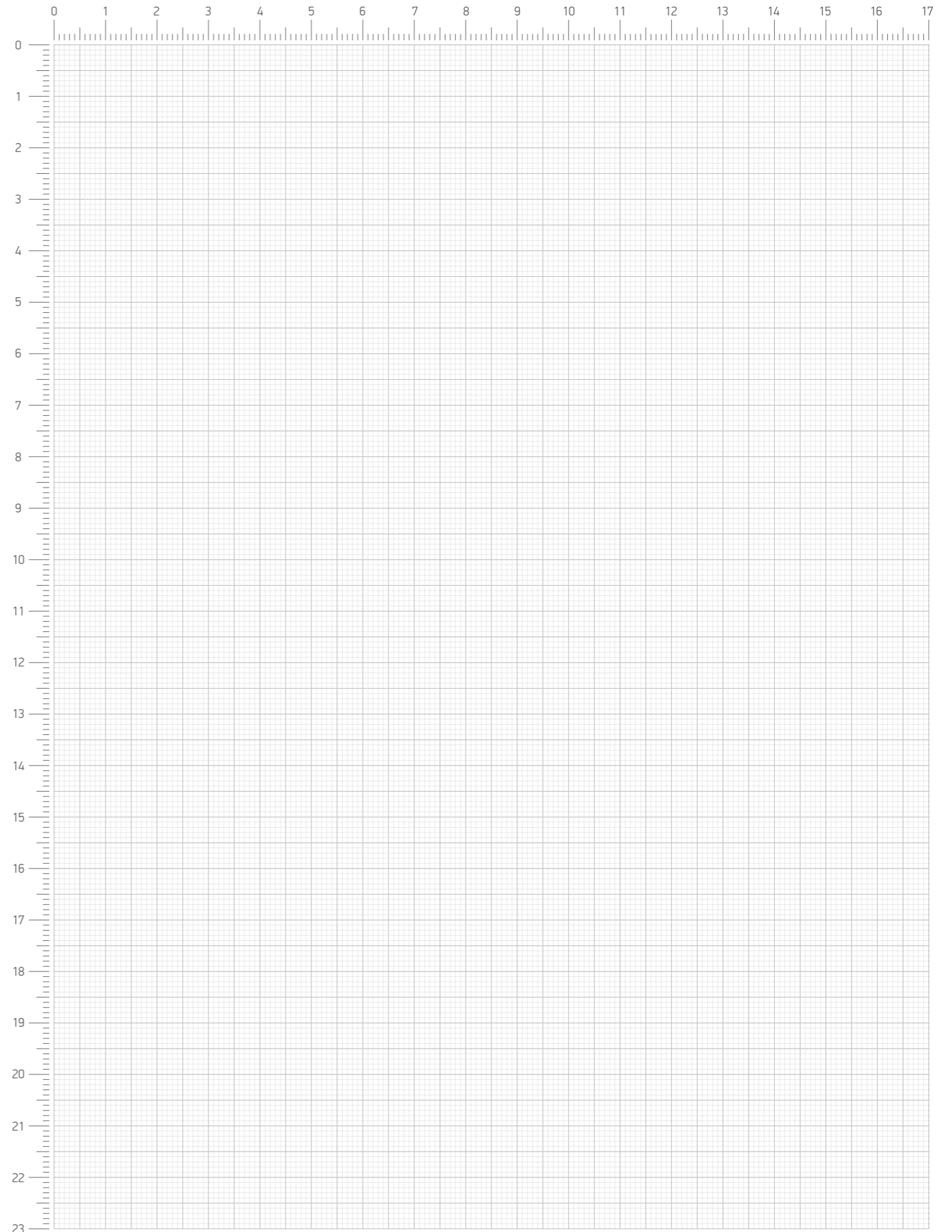
Vertical T Bend / T-Stück, vertikal

Type Artikelnummer	Width Breite W mm	Width 2 Breite W mm	Thickness Dicke t mm		Weight Gewicht kg/pcs	Min.Package Kleinste VPE
KI 35 DT 100 P	100	510	1		1,448	1 Pcs
KI 35 DT 200 P	200	610	1		2,000	1 Pcs
KI 35 DT 300 P	300	710	1		2,720	1 Pcs

P Pregalvanized / Bandverzinkt

Vertical T bends are used to change the direction of the cable tray in the vertical plane. To install use 12 x KH BBFS M6. Fasteners are included.

Mit dem vertikalen T-Stück werden Richtungswechsel in der vertikalen Ebene erstellt. Zur Befestigung werden 12 x KH BBFS M6 benötigt. Verbindungselemente im Lieferumfang enthalten.



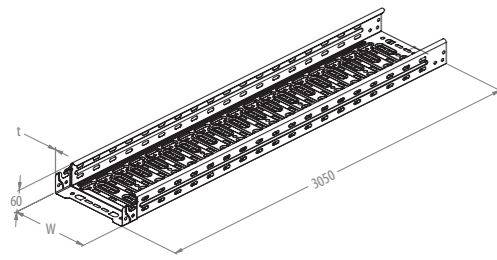
Side Height 60mm / Seitenhöhe 60mm

Type Artikelnummer	Width Breite W mm	Thickness Dicke t mm	Loading Capacity Zul.Belastung 1,5m kN/m	Loading Capacity Zul. Belastung 2m kN/m	Loading Capacity Zul.Belastung 2,5m kN/m	Weight Gewicht kg/pcs	Min.Package Kleinste VPE
KI 60 100 P	100	0,7	0,82	0,47	0,36	4,099	1 Pcs
KI 60 200 P	200	0,7	0,90	0,50	0,37	5,807	1 Pcs
KI 60 300 P	300	0,7	0,98	0,52	0,37	7,515	1 Pcs

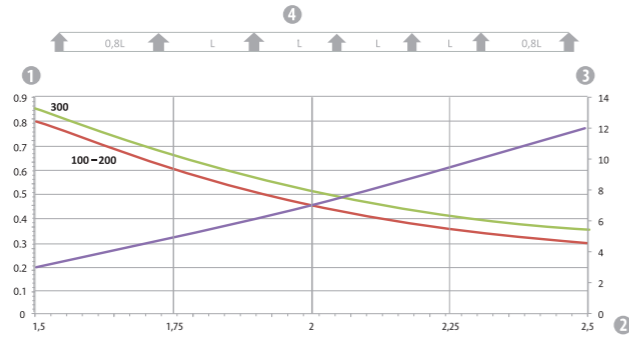
P Pregalvanized / Bandverzinkt

Cable tray with quick connection system. The tray has oval perforations of 7x20 for cable ventilation and easy installation of accessories. Flanges have full round smooth edges. The continuous equipotential bonding is guaranteed without additional components.

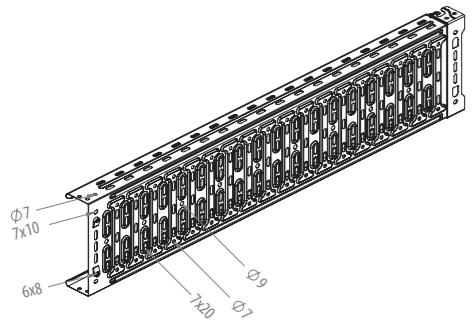
Kabelrinnenserie mit Schnellmontagesystem und ovalen Öffnungen von 7x20 zur Kabelbelüftung und problemlosem Anschluss von Abhängungen. Alle Flanschanten sind abgerundet. Der durchgängige Potentialausgleich ist ohne Zusatzbauteile gewährleistet.



Loading Capacity Details / Belastungsangaben



- Permitted cable tray / ladder load in kN/m without man load / zul. Kabelrinnen-/Leiterbelastung in kN/m ohne Mannlast
 - Support width in m / Stützweite in m
 - Deflection mm at permitted kN/m / Holmdurchbiegung in mm bei zul. kN/m
 - Load scheme during testing / Belastungsschema beim Prüfverfahren
- Load curve with cable tray width in mm / Belastungskurve mit Kabelrinnenbreite in mm
— Deflection curve according to support width / Holmdurchbiegungskurve je nach Stützweite



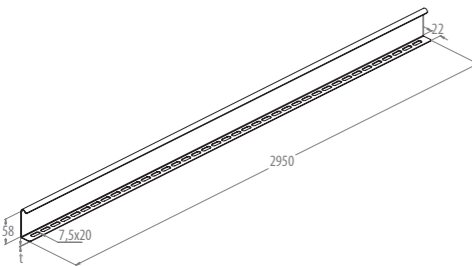
Barrier Strip / Trennsteg

Type Artikelnummer	Thickness Dicke t mm	Weight Gewicht kg/pcs	Min.Package Kleinste VPE
KI 60 SEP P	0,7	2,025	5 Pcs

P Pregalvanized / Bandverzinkt

Barrier strips are used for separation of cables. The standard length of the barrier strips are 2950 mm. Barrier strips are fixed to the cable tray with mounting clamps. Mounting clamps are included.

Trennsteg dienen zur separaten Verlegung von Kabeln. Die Länge der Trennsteg beträgt 2950mm. Trennsteg werden an den Kabelrinnen mit Befestigungsklemmen montiert. Befestigungsklemmen im Lieferumfang enthalten.



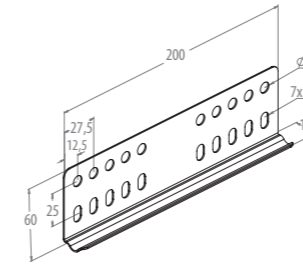
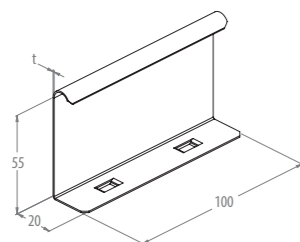
Barrier Strip Connector / Trennstegverbinder

Type Artikelnummer	Thickness Dicke t mm	Weight Gewicht kg/pcs	Min.Package Kleinste VPE
KI 60 SEK P	0,7	0,047	5 Pcs

P Pregalvanized / Bandverzinkt

Barrier strip connector for screwless connection of the barrier strips.

Trennstegverbinder zur schraubenlosen Verbindung der Trennsteg.



Straight Connector / Verbinder

Type Artikelnummer	Thickness Dicke t mm	Weight Gewicht kg/pcs	Min.Package Kleinste VPE
KI 60 EK P	1	0,104	50 Pcs

P Pregalvanized / Bandverzinkt

Straight connectors are used to join cable trays and accessories. For installation use 4 x KH BBFS M6. Fasteners are included.

Verbindet die Kabelrinnen untereinander und mit den Zubehörteilen. Zur Befestigung werden 4 x KH BBFS M6 benötigt. Verbindungselemente im Lieferumfang enthalten.

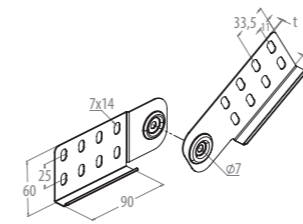
Vertical Adjustable Connector / Flexibler Vertikalverbinder

Type Artikelnummer	Thickness Dicke t mm	Weight Gewicht kg/pcs	Min.Package Kleinste VPE
KI 60 DSD P	1	0,134	10 Pcs

P Pregalvanized / Bandverzinkt

Vertical adjustable connectors are used to make random angle connections between sections of trays. To install use 5 x KH BBFS M6. Fasteners are included.

Mit dem flexiblen Vertikalverbinder können die Kabelrinnen in einem beliebigen Winkel verlegt werden. Zur Befestigung werden 5 x KH BBFS M6 benötigt. Verbindungselemente im Lieferumfang enthalten.



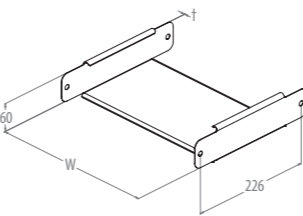
Adjustable Vertical Bend Element / Gelenkstück

Type Artikelnummer	Width Breite W mm	Thickness Dicke t mm	Weight Gewicht kg/pcs	Min.Package Kleinste VPE
KI 60 IDS 100 P	100	1	0,396	10 Pcs
KI 60 IDS 200 P	200	1	0,508	10 Pcs
KI 60 IDS 300 P	300	1	0,625	10 Pcs

P Pregalvanized / Bandverzinkt

Adjustable vertical bend element. 2 x KH BBFS M6 are included. Vertical adjustable connectors should be ordered separately.

Gelenkstück. 2 x KH BBFS M6 im Lieferumfang enthalten. Flexible Vertikalverbinder sind separat zu bestellen.



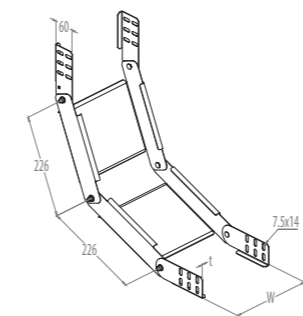
Adjustable Vertical Bend / Gelenkbogen

Type Artikelnummer	Width Breite W mm	Thickness Dicke t mm	Weight Gewicht kg/pcs	Min.Package Kleinste VPE
KI 60 IDSD 100 P	100	1	0,802	10 Pcs
KI 60 IDSD 200 P	200	1	1,020	10 Pcs
KI 60 IDSD 300 P	300	1	1,256	10 Pcs

P Pregalvanized / Bandverzinkt

The adjustable vertical bend is shipped in an unmounted state. For installation use 14 x KH BBFS M6. Fasteners are included.

Der Gelenkbogen wird im unmontierten Zustand geliefert. Zur Befestigung werden 14 x KH BBFS M6 benötigt. Verbindungselemente im Lieferumfang enthalten.



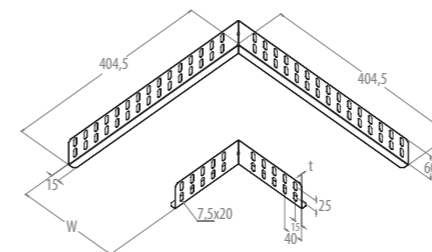
Horizontal Adjustable Connector / Flexibler Horizontalverbinder

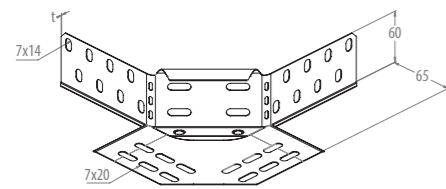
Type Artikelnummer	Thickness Dicke t mm	Weight Gewicht kg/pcs	Min.Package Kleinste VPE
KI 60 YSD P	1	0,544	10 Pcs

P Pregalvanized / Bandverzinkt

Horizontal adjustable connectors are used to make random-angle connections between sections of trays. For installation use 8 x KH BBFS M6. Fasteners are included.

Mit dem flexiblen Horizontalverbinder können die Kabelrinnen in einem beliebigen Winkel verlegt werden. Zur Befestigung werden 8 x KH BBFS M6 benötigt. Verbindungselemente im Lieferumfang enthalten.





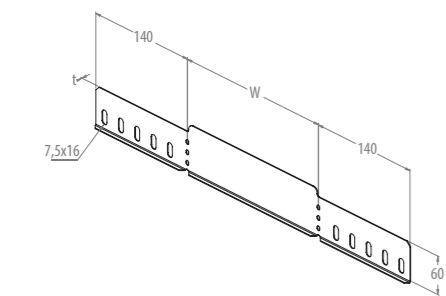
Corner Connector / Eckverbinder

Type Artikelnummer	Thickness Dicke t mm	Weight Gewicht kg/pcs	Min.Package Kleinste VPE
KI 60 YKB P	0,7	0,171	1 Pcs

P Pregalvanized / Bandverzinkt

Corner connector for cable trays. For installation use 8 x KH BBFS M6. Fasteners are included.

Eckverbinder für Kabeltrassen. Zur Befestigung werden 8 x KH BBFS M6 benötigt. Verbindungselemente im Lieferumfang enthalten.



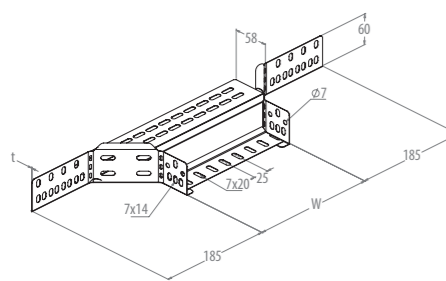
End Cap - Reducer / Endkappe - Reduzierstück

Type Artikelnummer	Width Breite W mm	Thickness Dicke t mm	Weight Gewicht kg/pcs	Min.Package Kleinste VPE
KI 60 SON 050 P	50	1	0,103	1 Pcs
KI 60 SON 100 P	100	1	0,134	1 Pcs
KI 60 SON 200 P	200	1	0,209	1 Pcs
KI 60 SON 300 P	300	1	0,270	1 Pcs

P Pregalvanized / Bandverzinkt

End caps/reducers are used both as termination of open ends of cable trays and to reduce the width of cable trays. To install use 4 x KH BBFS M6. Fasteners are included.

Endkappen/Reduzierstücke werden als Abschluss und zur Breitenreduzierung von Kabeltrassen eingesetzt. Zur Befestigung werden 4 x KH BBFS M6 benötigt. Verbindungselemente im Lieferumfang enthalten.



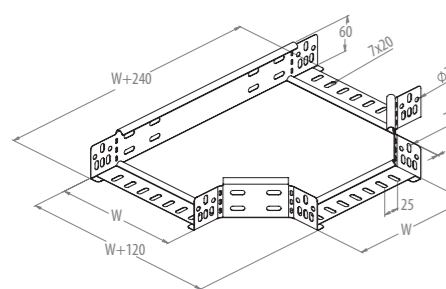
Extension T Bend / Anbau T-Stück

Type Artikelnummer	Width Breite W mm	Thickness Dicke t mm	Weight Gewicht kg/pcs	Min.Package Kleinste VPE
KI 60 YTD 100 P	100	0,7	0,258	1 Pcs
KI 60 YTD 200 P	200	0,7	0,433	1 Pcs
KI 60 YTD 300 P	300	0,7	0,501	1 Pcs

P Pregalvanized / Bandverzinkt

Extension T bends are used to turn the tray system on the same plane. To install use 14 x KH BBFS M6. Fasteners are included.

Das Anbau-T-Stück ermöglicht die horizontale Verzweigung der Kabeltrassen. Zur Befestigung werden 14 x KH BBFS M6 benötigt. Verbindungselemente im Lieferumfang enthalten.



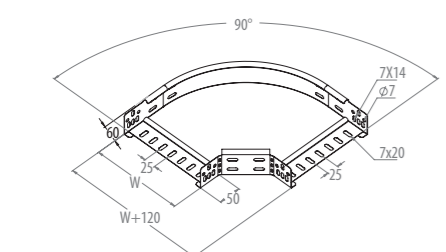
T Bend / T-Stück

Type Artikelnummer	Width Breite W mm	Thickness Dicke t mm	Weight Gewicht kg/pcs	Min.Package Kleinste VPE
KI 60 TD 100 P	100	1	0,557	1 Pcs
KI 60 TD 200 P	200	1	0,962	1 Pcs
KI 60 TD 300 P	300	1	1,478	1 Pcs

P Pregalvanized / Bandverzinkt

T bends are used to turn the tray system on the same plane. To install use 12 x KH BBFS M6. Fasteners are included.

Das T-Stück ermöglicht die Verzweigung der Kabeltrassen auf der horizontalen Ebene. Zur Befestigung werden 12 x KH BBFS M6 benötigt. Verbindungselemente im Lieferumfang enthalten.



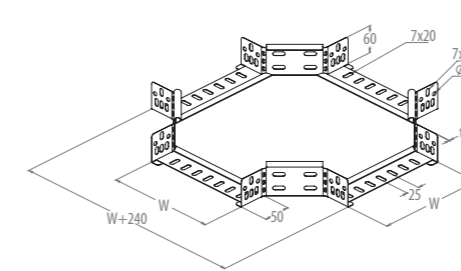
90° Bend / 90° Bogen

Type Artikelnummer	Width Breite W mm	Thickness Dicke t mm	Weight Gewicht kg/pcs	Min.Package Kleinste VPE
KI 60 YD 100 P	100	0,7	0,417	1 Pcs
KI 60 YD 200 P	200	0,7	0,745	1 Pcs
KI 60 YD 300 P	300	0,7	1,161	1 Pcs

P Pregalvanized / Bandverzinkt

Used to make a smooth, 90° horizontal change in cable tray direction to turn the tray system to the right or left on the same plane. To install use 8 x KH BBFS M6. Fasteners are included.

Der Bogen ermöglicht es, die Kabeltrasse in jede beliebige Richtung zu leiten, entweder nach links oder rechts in einem 90° Winkel. Zur Befestigung werden 8 x KH BBFS M6 benötigt. Verbindungselemente im Lieferumfang enthalten.



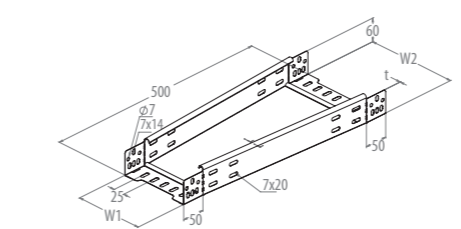
Cross-Over / Kreuzung

Type Artikelnummer	Width Breite W mm	Thickness Dicke t mm	Weight Gewicht kg/pcs	Min.Package Kleinste VPE
KI 60 DD 100 P	100	0,7	0,643	1 Pcs
KI 60 DD 200 P	200	0,7	1,068	1 Pcs
KI 60 DD 300 P	300	0,7	1,594	1 Pcs

P Pregalvanized / Bandverzinkt

Cross-over for cable trays. For installation use 16 x KH BBFS M6. Fasteners are included.

Kreuzung für Kabeltrassen. Zur Befestigung werden 16 x KH BBFS M6 benötigt. Verbindungselemente im Lieferumfang enthalten.



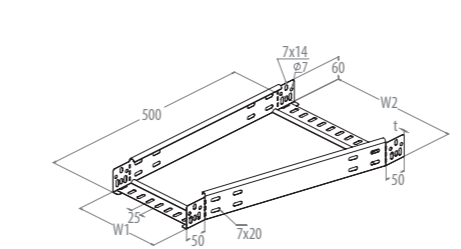
Middle Reducer / Reduzierstück, mittig

Type Artikelnummer	Width Breite W mm	Width 2 Breite W mm	Thickness Dicke t mm	Weight Gewicht kg/pcs	Min.Package Kleinste VPE
KI 60 RO 200 P	100	200	1	0,840	1 Pcs
KI 60 RO 300 P	200	300	1	1,085	1 Pcs

P Pregalvanized / Bandverzinkt

Reducers are used to reduce the width of cable trays. For installation use 8 x KH BBFS M6. Fasteners are included.

Reduzierstück zur Verkleinerung der Verlegetfläche. Zur Befestigung werden 8 x KH BBFS M6 benötigt. Verbindungselemente im Lieferumfang enthalten.



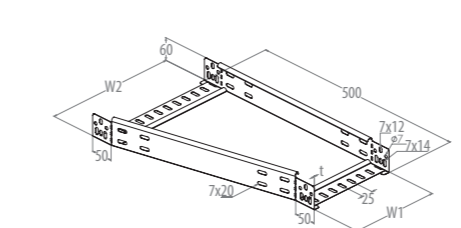
Left Reducer / Reduzierstück, links

Type Artikelnummer	Width Breite W mm	Width 2 Breite W mm	Thickness Dicke t mm	Weight Gewicht kg/pcs	Min.Package Kleinste VPE
KI 60 RSO 200 P	100	200	1	0,852	1 Pcs
KI 60 RSO 300 P	200	300	1	1,100	1 Pcs

P Pregalvanized / Bandverzinkt

Reducers are used to reduce the width of cable trays. For installation use 8 x KH BBFS M6. Fasteners are included.

Reduzierstück zur Verkleinerung der Verlegetfläche. Zur Befestigung werden 8 x KH BBFS M6 benötigt. Verbindungselemente im Lieferumfang enthalten.



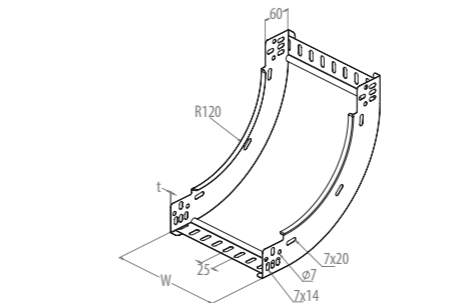
Right Reducer / Reduzierstück, rechts

Type Artikelnummer	Width Breite W mm	Width 2 Breite W mm	Thickness Dicke t mm	Weight Gewicht kg/pcs	Min.Package Kleinste VPE
KI 60 RSA 200 P	100	200	1	0,852	1 Pcs
KI 60 RSA 300 P	200	300	1	1,100	1 Pcs

P Pregalvanized / Bandverzinkt

Reducers are used to reduce the width of cable trays. For installation use 8 x KH BBFS M6. Fasteners are included.

Reduzierstück zur Verkleinerung der Verlegetfläche. Zur Befestigung werden 8 x KH BBFS M6 benötigt. Verbindungselemente im Lieferumfang enthalten.



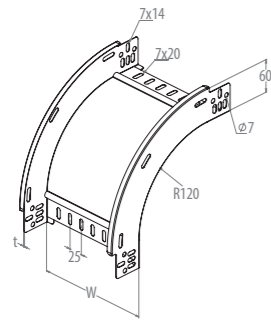
90° Inside Bend / 90° Steigstück

Type Artikelnummer	Width Breite W mm	Thickness Dicke t mm	Weight Gewicht kg/pcs	Min.Package Kleinste VPE
KI 60 IB 100 P	100	0,7	0,464	1 Pcs
KI 60 IB 200 P	200	0,7	0,666	1 Pcs
KI 60 IB 300 P	300	0,7	0,859	1 Pcs

P Pregalvanized / Bandverzinkt

Inside bends are used to change the direction of the tray vertically. For installation use 8 x KH BBFS M6. Fasteners are included.

Mit dem 90°-Steigstück kann die Richtung der Kabeltrasse vertikal verändert werden. Zur Befestigung werden 8 x KH BBFS M6 benötigt. Verbindungselemente im Lieferumfang enthalten.

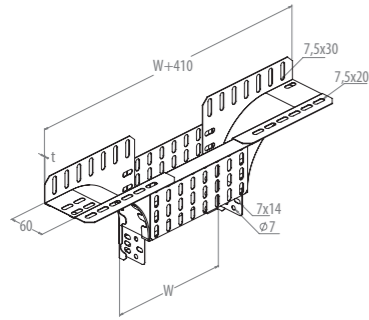


90° Outside Bend / 90°- Fallstück

Type Artikelnummer	Width Breite W mm	Thickness Dicke t mm			Weight Gewicht kg/pcs	Min.Package Kleinste VPE
KI 60 DB 100 P	100	0,7			0,369	1 Pcs
KI 60 DB 200 P	200	0,7			0,574	1 Pcs
KI 60 DB 300 P	300	0,7			0,779	1 Pcs

P Pregalvanized / Bandverzinkt

Outside bends are used to change the direction of the tray vertically. For installation use 8 x KH BBFS M6. Fasteners are included. *Mit dem 90°-Fallstück kann die Richtung der Kabeltrasse vertikal verändert werden. Zur Befestigung werden 8 x KH BBFS M6 benötigt. Verbindungselemente im Lieferumfang enthalten.*

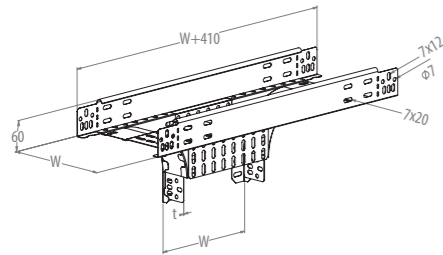


Vertical Extension T Bend / Anbau T-Stück, vertikal

Type Artikelnummer	Width Breite W mm	Width 2 Breite W mm	Thickness Dicke t mm		Weight Gewicht kg/pcs	Min.Package Kleinste VPE
KI 60 DYT 100 P	100	510	1		1,240	1 Pcs
KI 60 DYT 200 P	200	610	1		1,440	1 Pcs
KI 60 DYT 300 P	300	710	1		1,620	1 Pcs

P Pregalvanized / Bandverzinkt

Vertical extension T bends are used to change the direction of the cable tray in the vertical plane. To install use 12 x KH BBFS M6. Fasteners are included. *Mit dem vertikalen Anbau-T-Stück werden Richtungswechsel in der vertikalen Ebene erstellt. Zur Befestigung werden 12 x KH BBFS M6 benötigt. Verbindungselemente im Lieferumfang enthalten.*

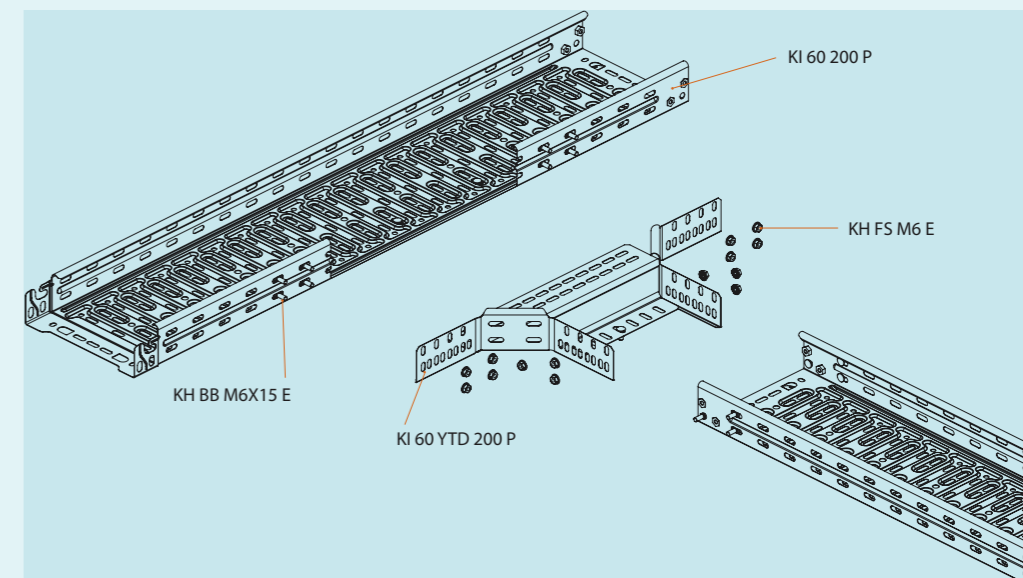
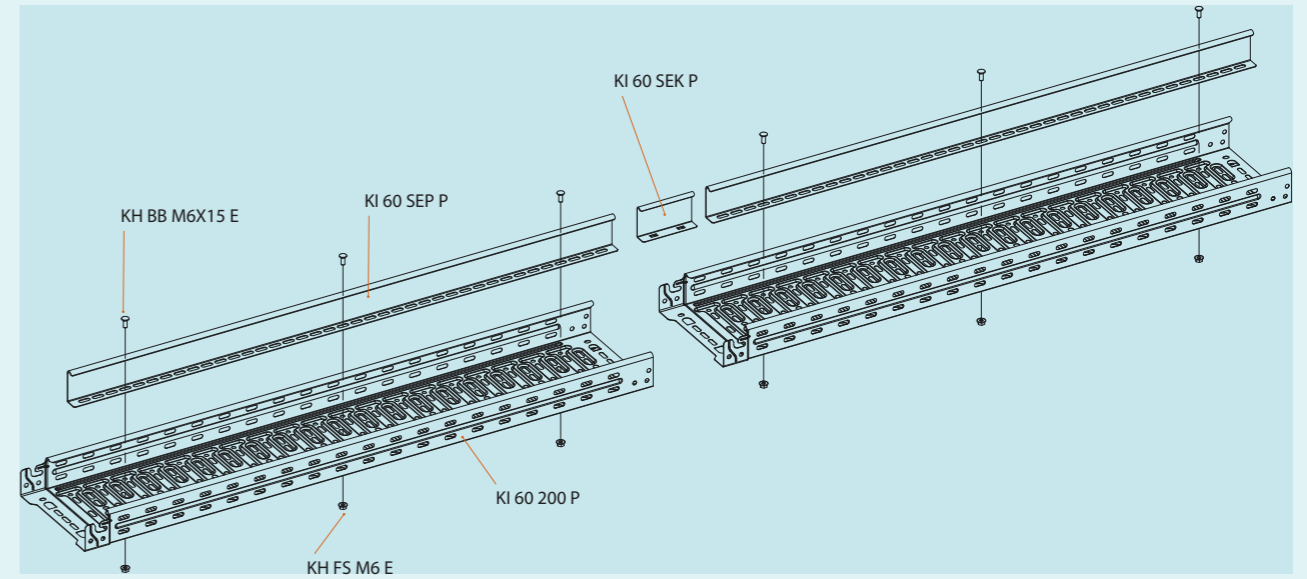


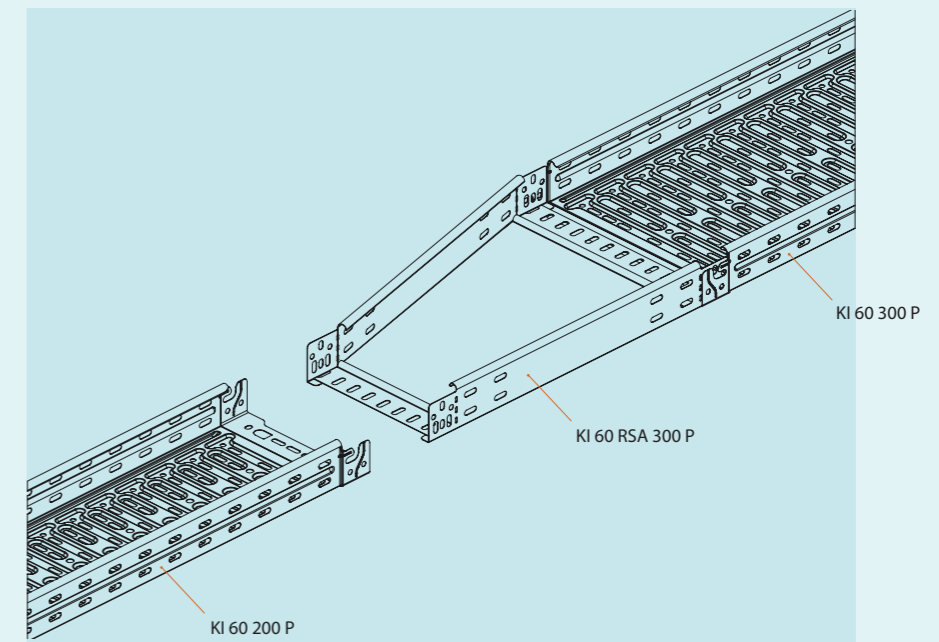
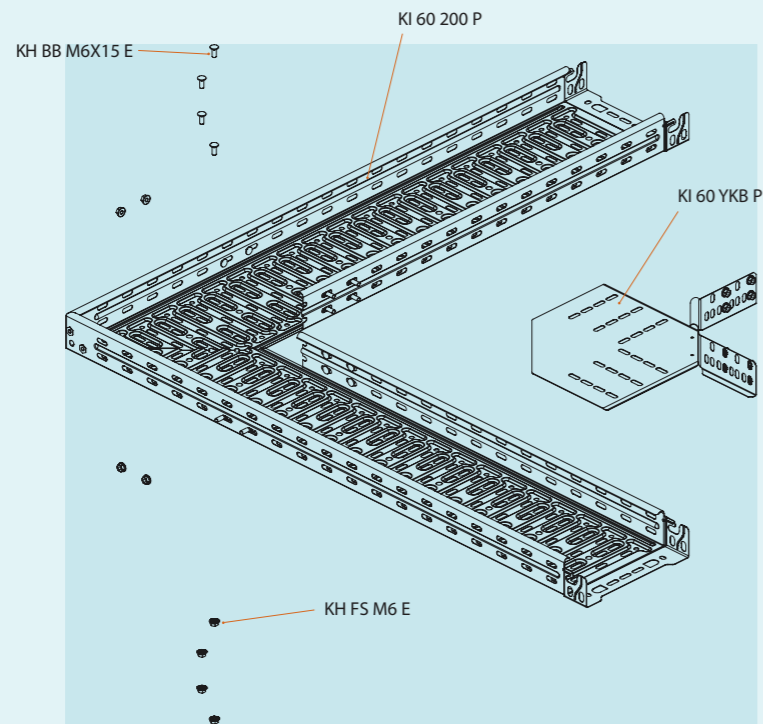
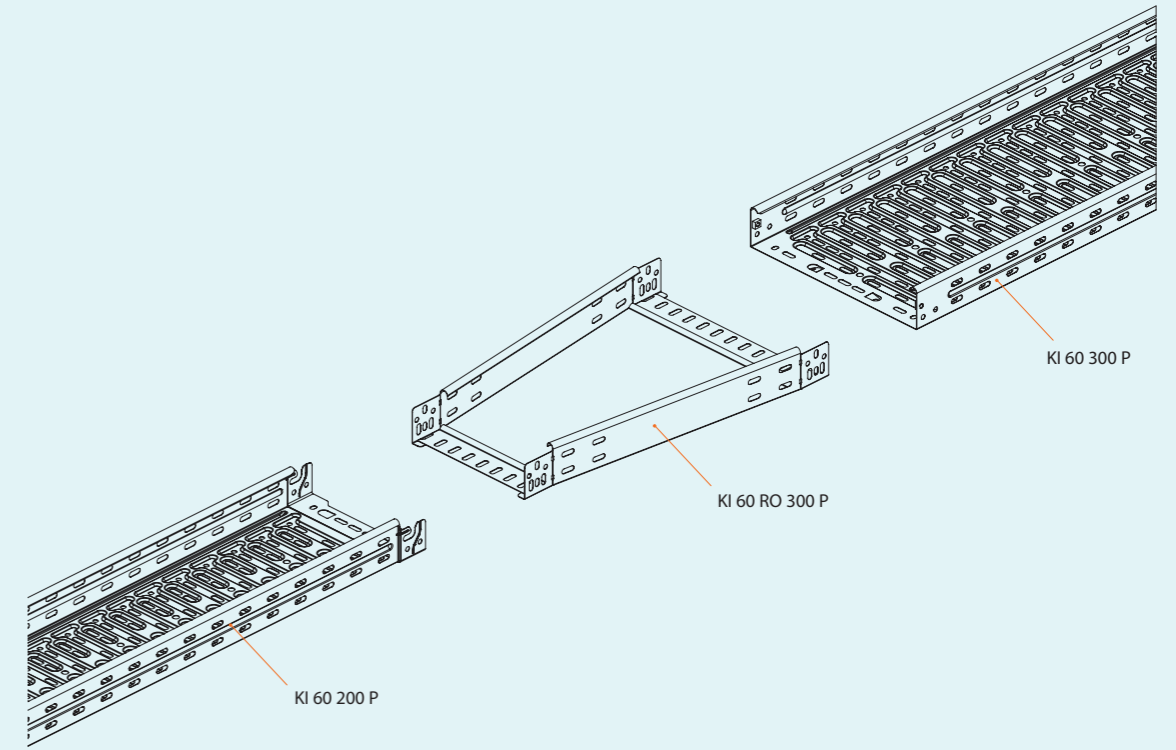
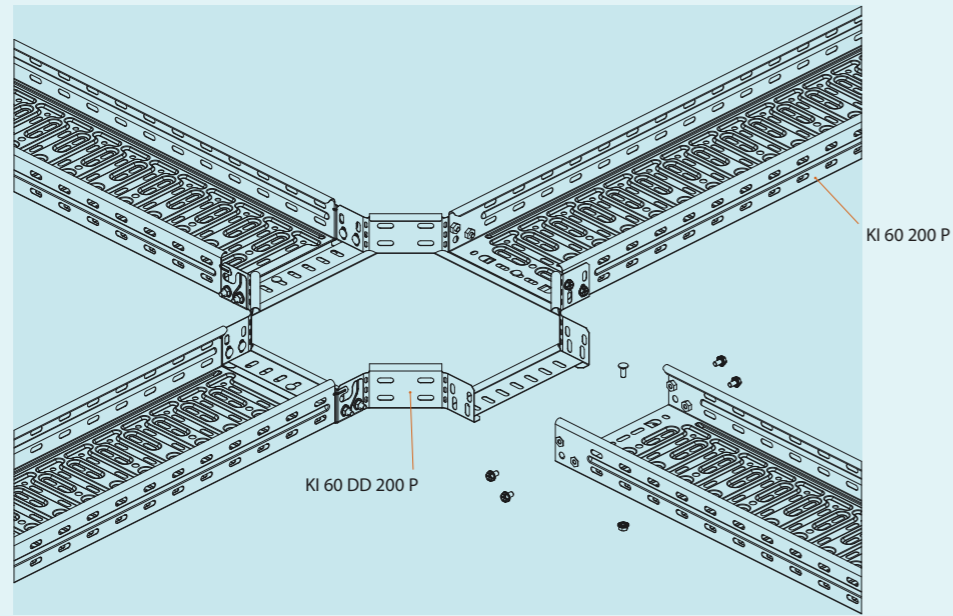
Vertical T Bend / T-Stück, vertikal

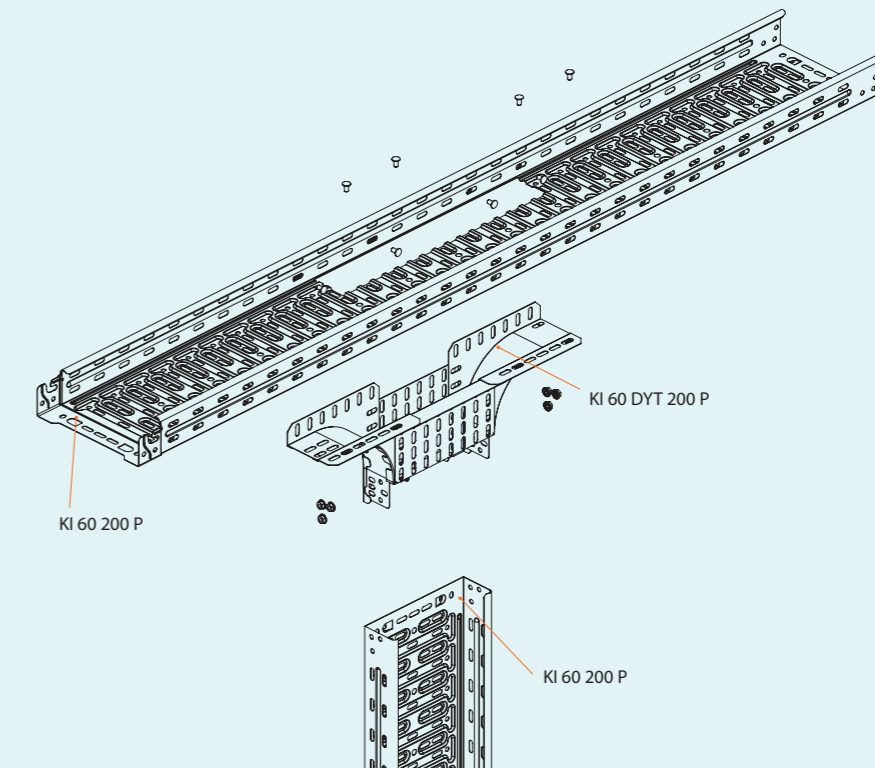
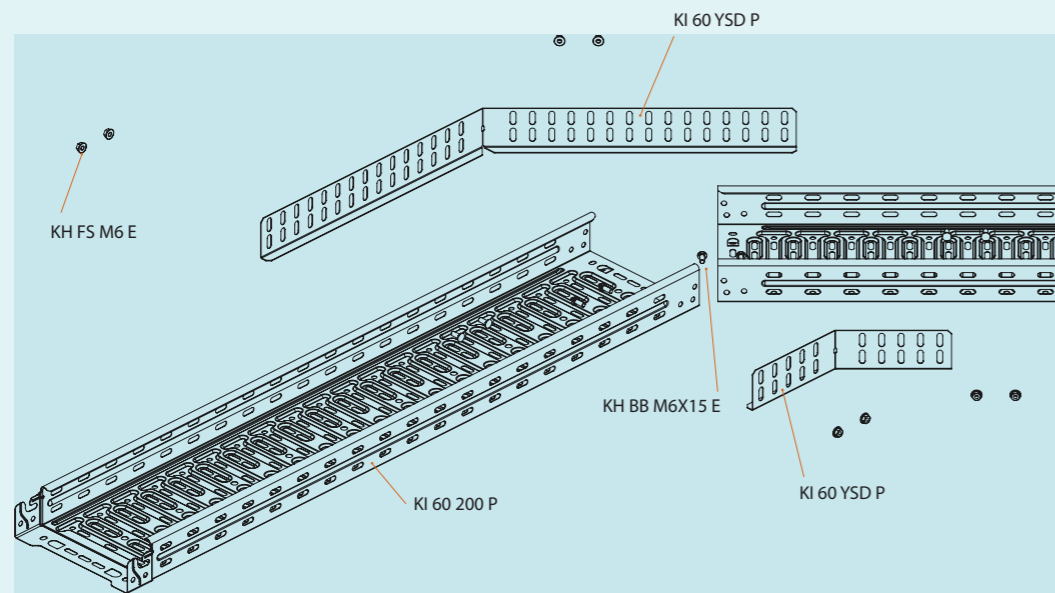
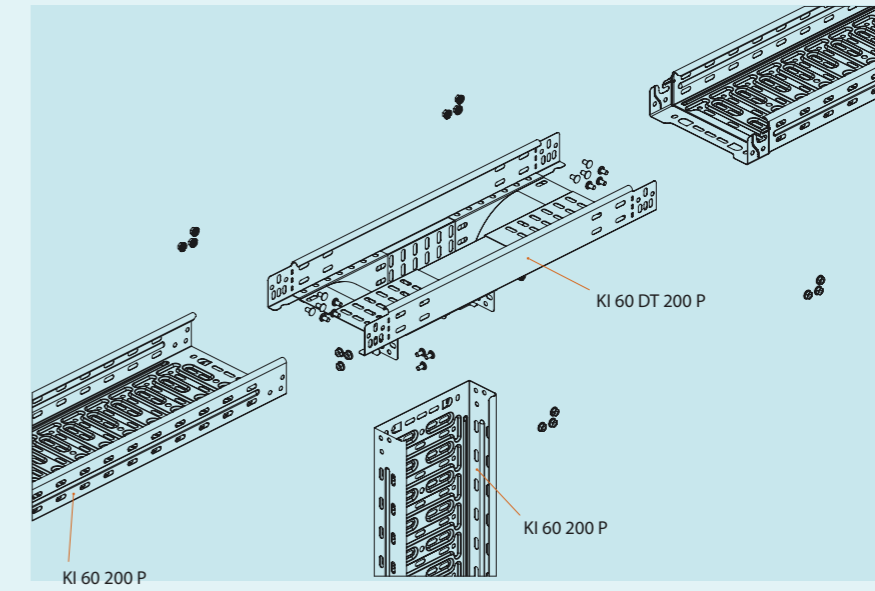
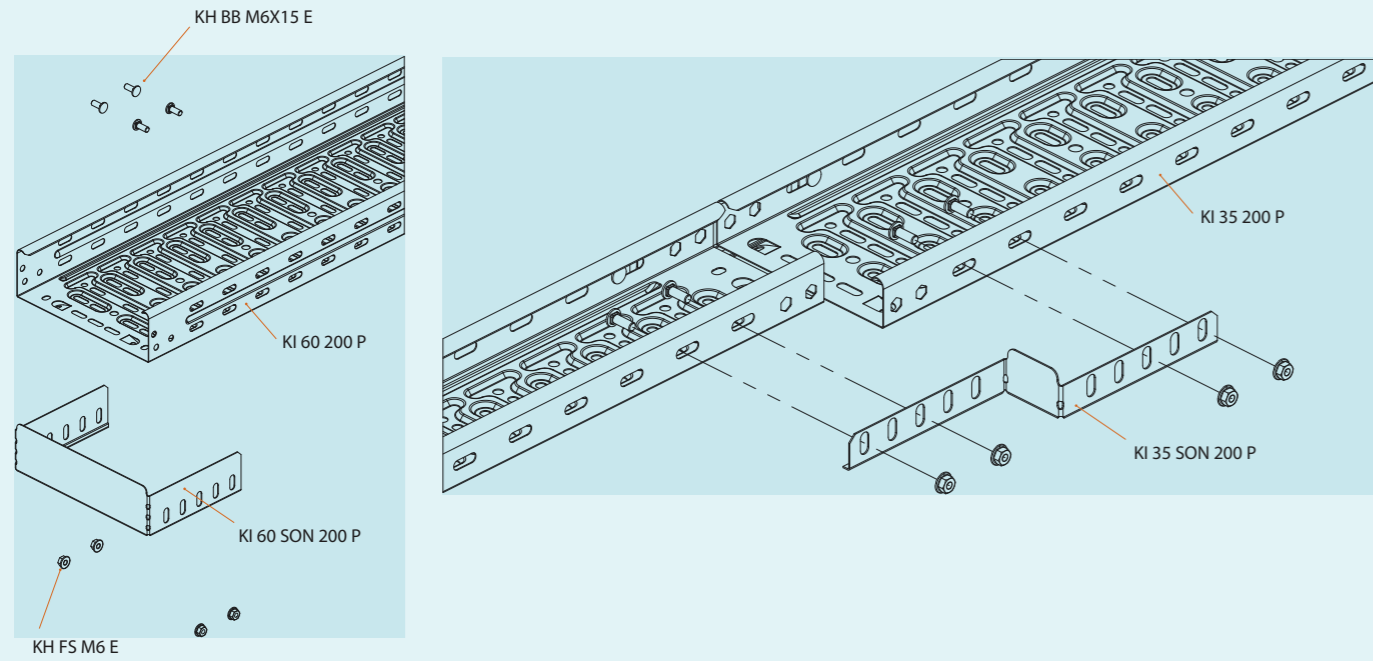
Type Artikelnummer	Width Breite W mm	Width 2 Breite W mm	Thickness Dicke t mm		Weight Gewicht kg/pcs	Min.Package Kleinste VPE
KI 60 DT 100 P	100	510	1		1,640	1 Pcs
KI 60 DT 200 P	200	610	1		2,230	1 Pcs
KI 60 DT 300 P	300	710	1		3,030	1 Pcs

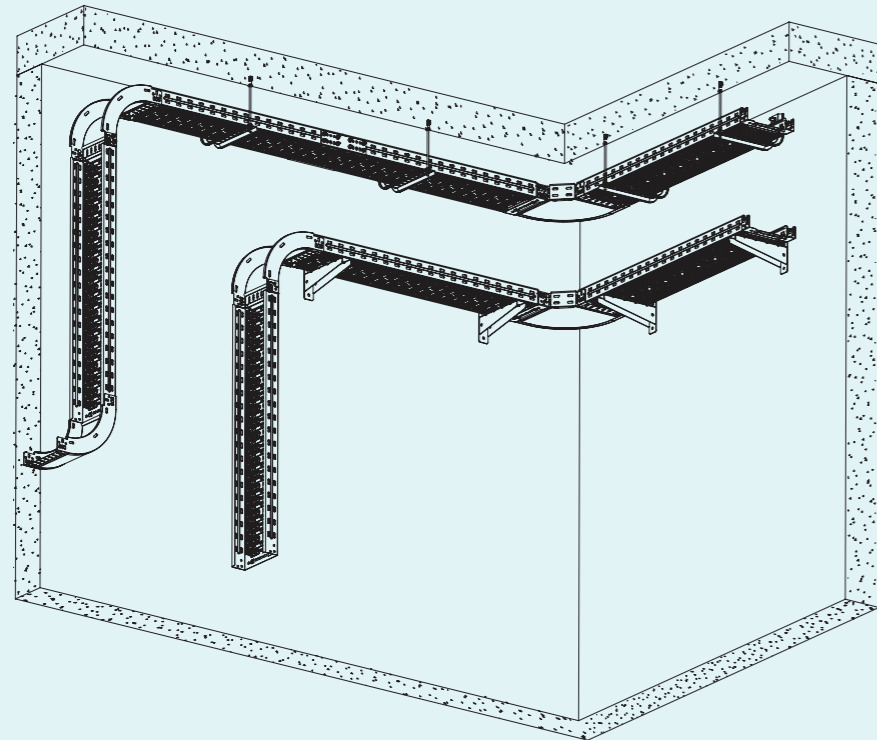
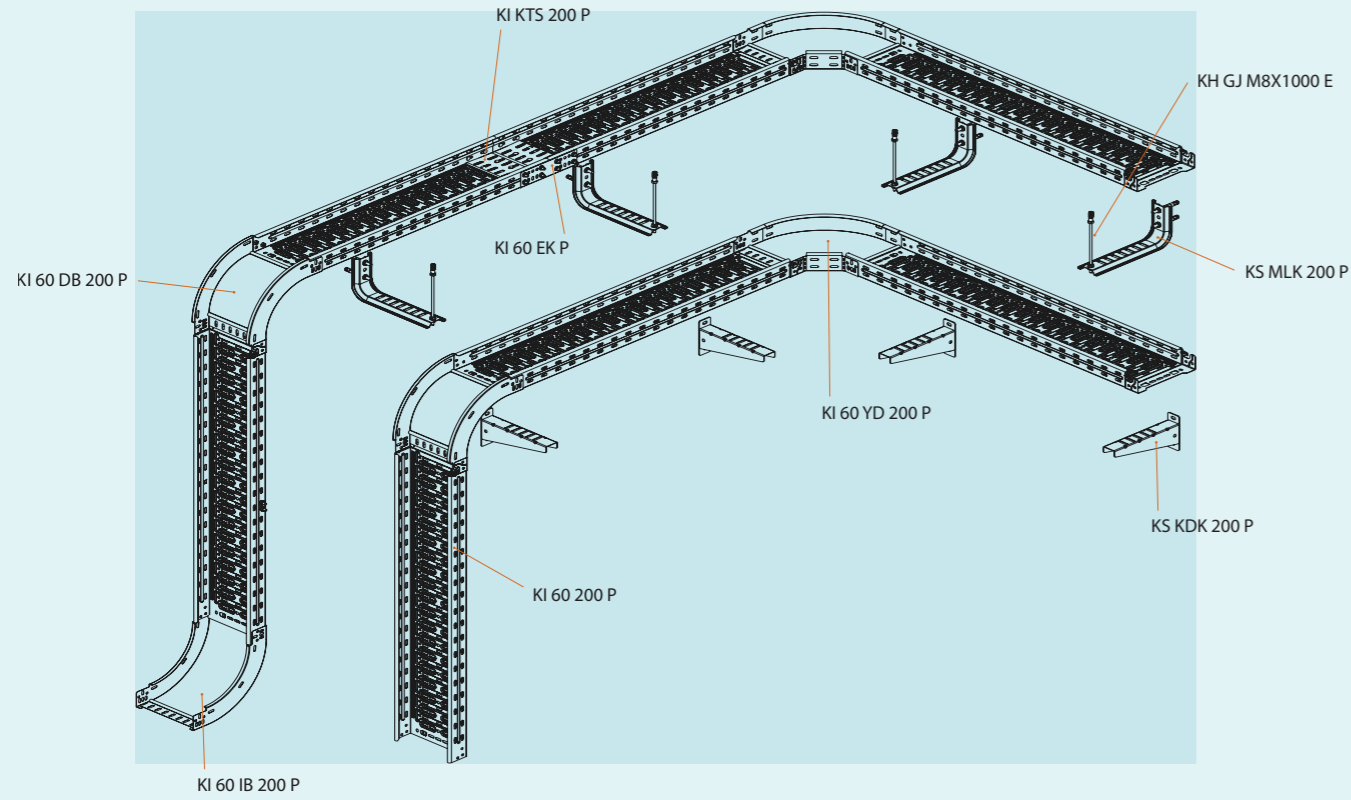
P Pregalvanized / Bandverzinkt

Vertical T bends are used to change the direction of the cable tray in the vertical plane. To install use 12 x KH BBFS M6. Fasteners are included. *Mit dem vertikalen T-Stück werden Richtungswechsel in der vertikalen Ebene erstellt. Zur Befestigung werden 12 x KH BBFS M6 benötigt. Verbindungselemente im Lieferumfang enthalten.*



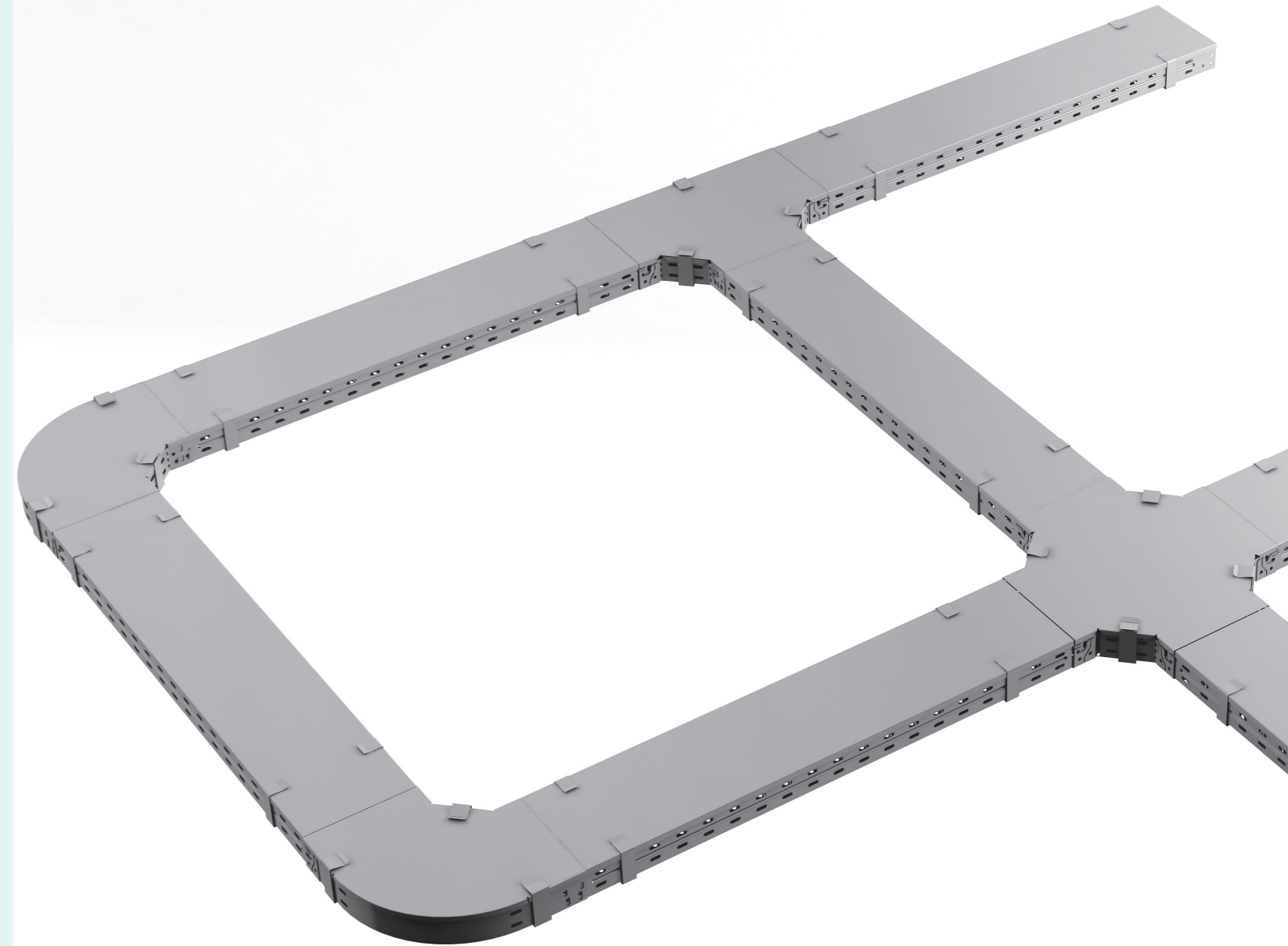




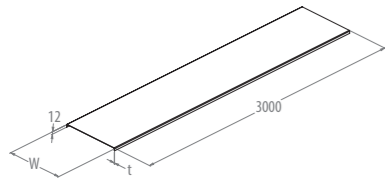


Accessories 35mm, 60 mm

Zubehör 35mm, 60mm



Cover for Cable Tray / Deckel für Kabelrinnen

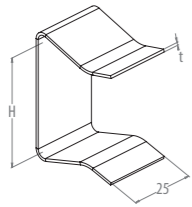


Type Artikelnummer	Width Breite W mm	Thickness Dicke t mm	Weight Gewicht kg/pcs	Min.Package Kleinste VPE
KI K 100 P	100	0,8	2,399	1 Pcs
KI K 200 P	200	0,8	4,319	1 Pcs
KI K 300 P	300	0,8	6,230	1 Pcs

P Pregalvanized / Bandverzinkt

Cover for cable trays. Provides mechanical and environmental protection for installed cables in the cable tray system. *Deckel für Kabelrinnen schützen die verlegten Kabel mechanisch und vor Umwelteinflüssen.*

Cover Clamp / Deckelklemme

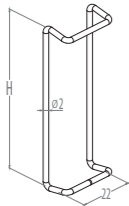


Type Artikelnummer	Height Höhe H mm	Thickness Dicke t mm	Weight Gewicht kg/pcs	Min.Package Kleinste VPE
KI 35 KLP P	35	1,2	0,032	30 Pcs
KI 60 KLP P	60	1,2	0,039	30 Pcs

P Pregalvanized / Bandverzinkt

Cover clamps to secure the covers on cable trays. Minimum 6 pcs. are required to fasten 3m of cover. *Deckelklemmen werden benötigt um die Deckel auf den Kabelrinnen zu befestigen. Mindestens 6 Deckelklemmen sind für eine Deckellänge von 3m erforderlich.*

Cover Clamp / Deckelklemme

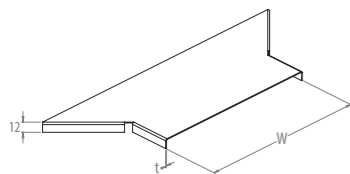


Type Artikelnummer	Height Höhe H mm	Weight Gewicht kg/pcs	Min.Package Kleinste VPE
KI 35 TKLP P	35	0,010	30 Pcs
KI 60 TKLP P	60	0,016	30 Pcs

P Pregalvanized / Bandverzinkt

Cover clamps to secure the covers on cable trays. Minimum 6 pcs. are required to fasten 3m of cover. *Deckelklemmen werden benötigt um die Deckel auf den Kabelrinnen zu befestigen. Mindestens 6 Deckelklemmen sind für eine Deckellänge von 3m erforderlich.*

Cover for Extension T Bend / Deckel für Anbau T-Stücke

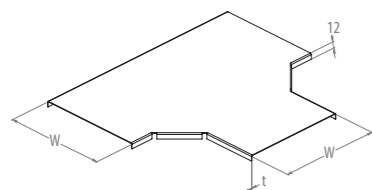


Type Artikelnummer	Width Breite W mm	Thickness Dicke t mm	Weight Gewicht kg/pcs	Min.Package Kleinste VPE
KI YTDK 100 P	100	0,7	0,110	1 Pcs
KI YTDK 200 P	200	0,7	0,175	1 Pcs
KI YTDK 300 P	300	0,7	0,241	1 Pcs

P Pregalvanized / Bandverzinkt

Cover for extension T bend is secured with cover clamps which should be ordered separately. *Deckel für Anbau-T-Stücke werden mit Deckelklemmen befestigt, die separat bestellt werden müssen.*

Cover for T Bend / Deckel für T-Stücke

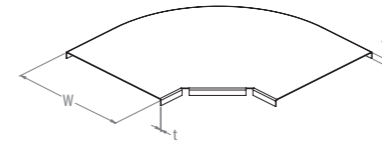


Type Artikelnummer	Width Breite W mm	Thickness Dicke t mm	Weight Gewicht kg/pcs	Min.Package Kleinste VPE
KI TDK 100 P	100	0,7	0,332	1 Pcs
KI TDK 200 P	200	0,7	0,703	1 Pcs
KI TDK 300 P	300	0,7	1,184	1 Pcs

P Pregalvanized / Bandverzinkt

Cover for T bend is secured with cover clamps which should be ordered separately. *Deckel für T-Stücke werden mit Deckelklemmen befestigt, die separat bestellt werden müssen.*

Cover for 90° Bend / Deckel für 90° Bogen

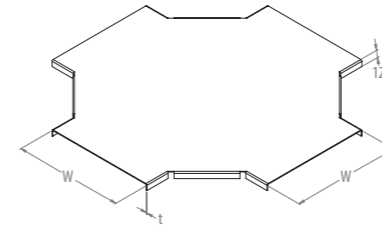


Type Artikelnummer	Width Breite W mm	Thickness Dicke t mm	Weight Gewicht kg/pcs	Min.Package Kleinste VPE
KI YDK 100 P	100	0,7	0,210	1 Pcs
KI YDK 200 P	200	0,7	0,470	1 Pcs
KI YDK 300 P	300	0,7	0,817	1 Pcs

P Pregalvanized / Bandverzinkt

Cover for 90° bend is secured with cover clamps which should be ordered separately. *Deckel für 90° Bogen werden mit Deckelklemmen befestigt, die separat bestellt werden müssen.*

Cover for Cross-Over / Deckel für Kreuzungen

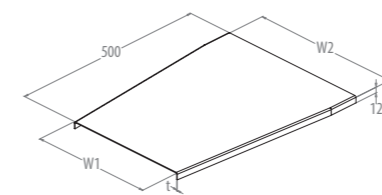


Type Artikelnummer	Width Breite W mm	Thickness Dicke t mm	Weight Gewicht kg/pcs	Min.Package Kleinste VPE
KI DDK 100 P	100	0,7	0,430	1 Pcs
KI DDK 200 P	200	0,7	0,856	1 Pcs
KI DDK 300 P	300	0,7	1,399	1 Pcs

P Pregalvanized / Bandverzinkt

Cover for cross-over is secured with cover clamps which should be ordered separately. *Deckel für Kreuzungen werden mit Deckelklemmen befestigt, die separat bestellt werden müssen.*

Cover for Middle Reducer / Deckel für Reduzierstücke, mittig

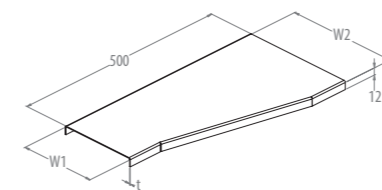


Type Artikelnummer	Width Breite W mm	Width 2 Breite 2 W mm	Thickness Dicke t mm	Weight Gewicht kg/pcs	Min.Package Kleinste VPE
KI ROK 200 P	100	200	0,7	0,484	1 Pcs
KI ROK 300 P	200	300	0,7	0,758	1 Pcs

P Pregalvanized / Bandverzinkt

Cover for middle reducer is secured with cover clamps which should be ordered separately. *Deckel für Reduzierstücke werden mit Deckelklemmen befestigt, die separat bestellt werden müssen.*

Cover for Left Reducer / Deckel für Reduzierstücke, links

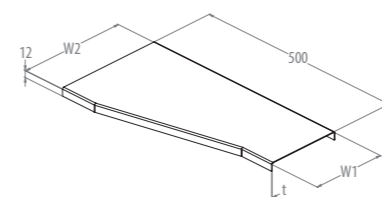


Type Artikelnummer	Width Breite W mm	Width 2 Breite 2 W mm	Thickness Dicke t mm	Weight Gewicht kg/pcs	Min.Package Kleinste VPE
KI RSOK 200 P	100	200	0,7	0,501	1 Pcs
KI RSOK 300 P	200	300	0,7	0,773	1 Pcs

P Pregalvanized / Bandverzinkt

Cover for left reducer is secured with cover clamps which should be ordered separately. *Deckel für Reduzierstücke/links werden mit Deckelklemmen befestigt, die separat bestellt werden müssen.*

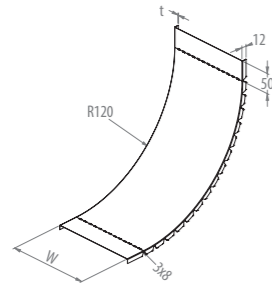
Cover for Right Reducer / Deckel für Reduzierstücke, rechts



Type Artikelnummer	Width Breite W mm	Width 2 Breite 2 W mm	Thickness Dicke t mm	Weight Gewicht kg/pcs	Min.Package Kleinste VPE
KI RSAK 200 P	100	200	0,7	0,501	1 Pcs
KI RSAK 300 P	200	300	0,7	0,773	1 Pcs

P Pregalvanized / Bandverzinkt

Cover for right reducer is secured with cover clamps which should be ordered separately. *Deckel für Reduzierstücke/rechts werden mit Deckelklemmen befestigt, die separat bestellt werden müssen.*

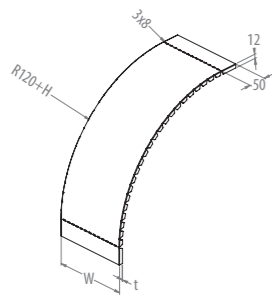


Cover for 90° Inside Bend / Deckel für 90°-Steigstücke

Type Artikelnummer	Width Breite W mm	Thickness Dicke t mm	Radius Radius R mm	Weight Gewicht kg/pcs	Min.Package Kleinste VPE
KI IBK 100 P	100	0,7	120	0,203	1 Pcs
KI IBK 200 P	200	0,7	120	0,365	1 Pcs
KI IBK 300 P	300	0,7	120	0,528	1 Pcs

P Pregalvanized / Bandverzinkt

Cover for 90° inside bend is secured with cover clamps which should be ordered separately. *Deckel für 90°-Steigstücke werden mit Deckelklammern befestigt, die separat bestellt werden müssen.*

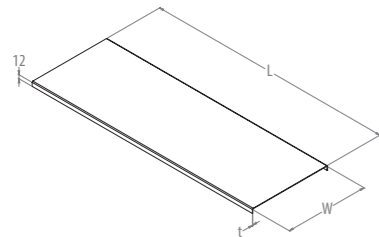


Cover for 90° Outside Bend / Deckel für 90°-Fallstücke

Type Artikelnummer	Width Breite W mm	Radius Radius R mm	Thickness Dicke t mm	Weight Gewicht kg/pcs	Min.Package Kleinste VPE
KI 35 DBK 100 P	100	155	0,7	0,201	1 Pcs
KI 35 DBK 200 P	200	155	0,7	0,313	1 Pcs
KI 35 DBK 300 P	300	155	0,7	0,425	1 Pcs
KI 60 DBK 100 P	100	180	0,7	0,227	1 Pcs
KI 60 DBK 200 P	200	180	0,7	0,354	1 Pcs
KI 60 DBK 300 P	300	180	0,7	0,480	1 Pcs

P Pregalvanized / Bandverzinkt

Cover for 90° outside bend is secured with cover clamps which should be ordered separately. *Deckel für 90°-Fallstücke werden mit Deckelklammern befestigt, die separat bestellt werden müssen.*

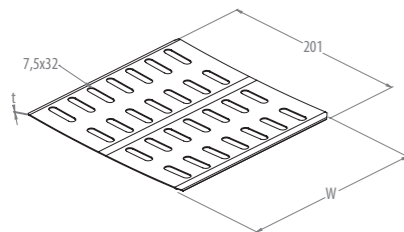


Cover for Vertical T Bend / Deckel für T-Stücke, vertikal

Type Artikelnummer	Width Breite W mm	Length Länge L mm	Thickness Dicke t mm	Weight Gewicht kg/pcs	Min.Package Kleinste VPE
KI DTK 100 P	100	410	0,7	0,284	1 Pcs
KI DTK 200 P	200	510	0,7	0,634	1 Pcs
KI DTK 300 P	300	610	0,7	1,095	1 Pcs

P Pregalvanized / Bandverzinkt

Cover for vertical T bend is secured with cover clamps which should be ordered separately. *Deckel für Vertikal-T-Stücke werden mit Deckelklammern befestigt, die separat bestellt werden müssen.*

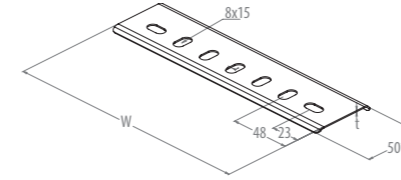


Joint Plate / Stoßstellenleiste

Type Artikelnummer	Width Breite W mm	Thickness Dicke t mm	Weight Gewicht kg/pcs	Min.Package Kleinste VPE
KI KTS 100 P	100	1	0,126	10 Pcs
KI KTS 200 P	200	1	0,225	10 Pcs
KI KTS 300 P	300	1	0,384	10 Pcs

P Pregalvanized / Bandverzinkt

Joint plates are used as a reinforcement of the cable trays and as cable protection. To install use 6 x KH BBFS M6. Fasteners are included. *Die Stoßstellenleiste dient der Verstärkung der Kabelrinne und zum Schutz der Kabel. Zur Befestigung werden 6 x KH BBFS M6 benötigt. Verbindungselemente im Lieferumfang enthalten.*

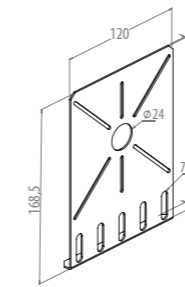


Edge Protection Plate / Kantenschutzblech

Type Artikelnummer	Width Breite W mm	Thickness Dicke t mm	Weight Gewicht kg/pcs	Min.Package Kleinste VPE
KR SDS 100 P	100	1	0,040	10 Pcs
KR SDS 200 P	200	1	0,080	10 Pcs
KR SDS 300 P	300	1	0,120	10 Pcs

P Pregalvanized / Bandverzinkt

Edge protection plates are used as cable protection. For installation use 3 x KH BBFS M6. Fasteners are included. *Das Kantenschutzblech dient zum Schutz der Kabel. Zur Befestigung werden 3 x KH BBFS M6 benötigt. Verbindungselemente im Lieferumfang enthalten.*

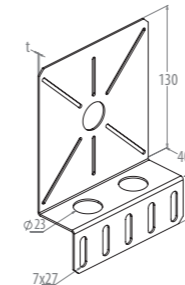


Mounting Plate / Montageplatte

Type Artikelnummer	Thickness Dicke t mm	Weight Gewicht kg/pcs	Min.Package Kleinste VPE
KR KPM1	1,5	0,140	10 Pcs

P Pregalvanized / Bandverzinkt

Mounting plate is fixed on the side rail of the cable tray using 3 x KH BBFS M6. Fasteners are included. *Die Montageplatte wird an dem Seitenholm der Kabelrinne mit 3 x KH BBFS M6 befestigt. Verbindungselemente im Lieferumfang enthalten.*

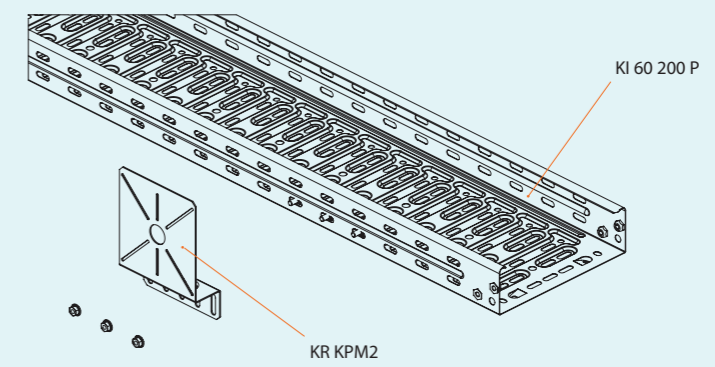
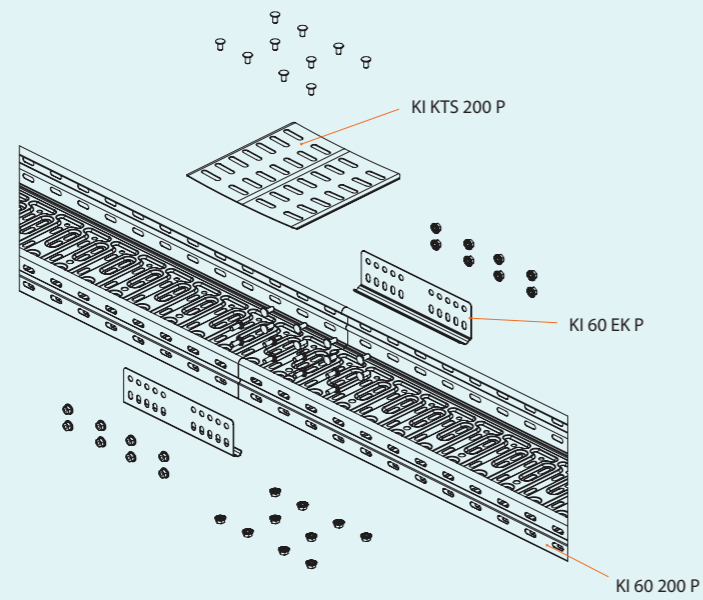
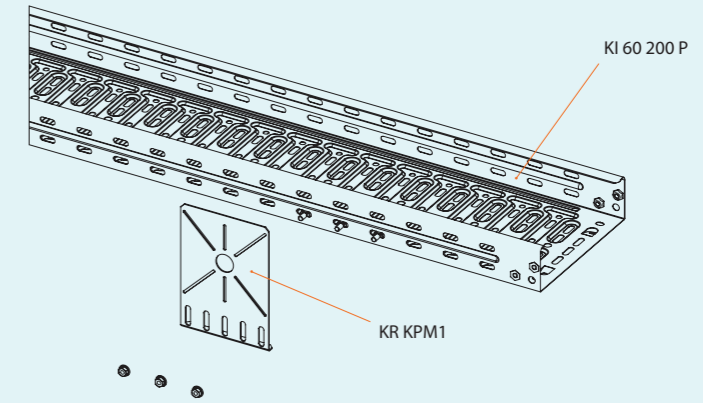
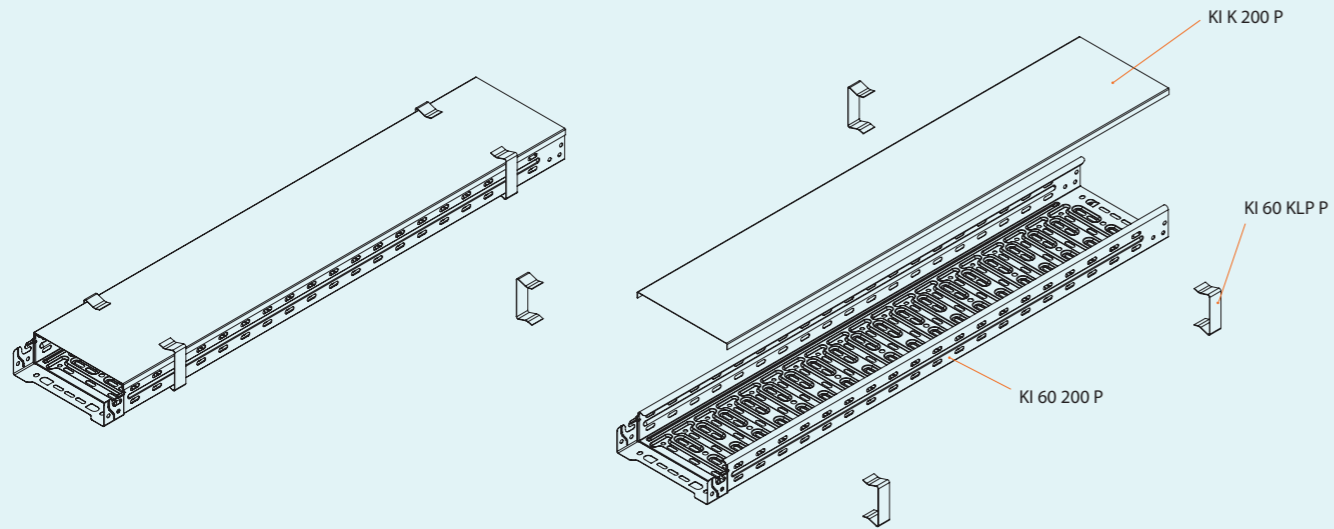


Mounting Plate / Montageplatte

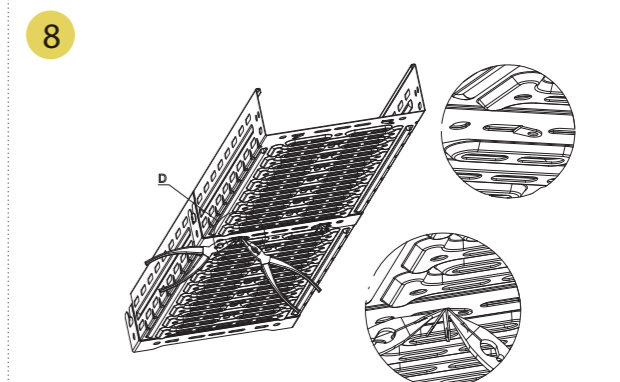
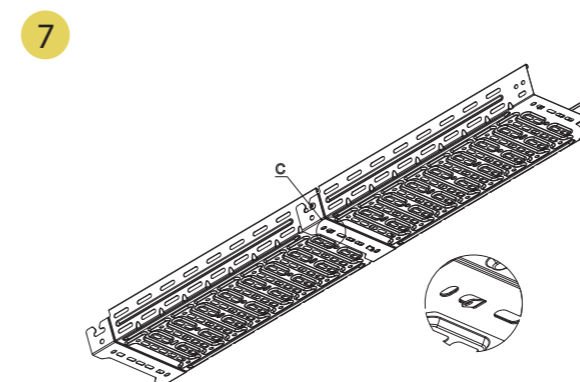
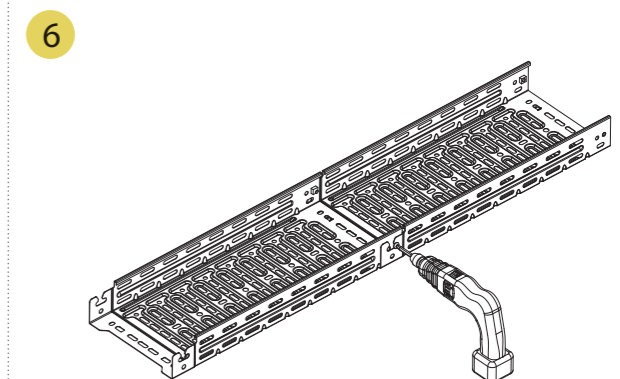
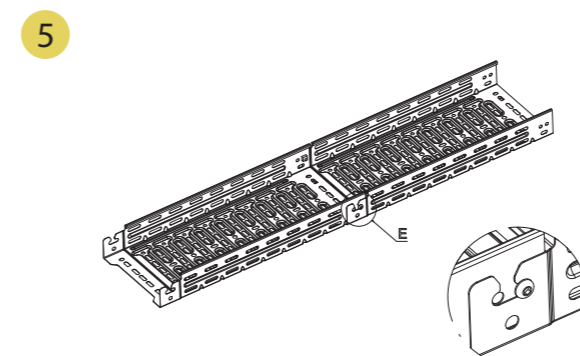
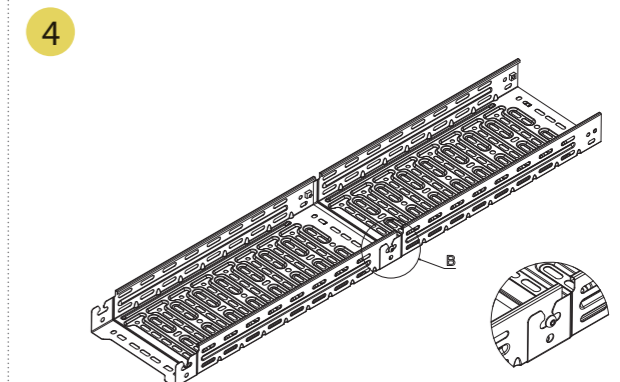
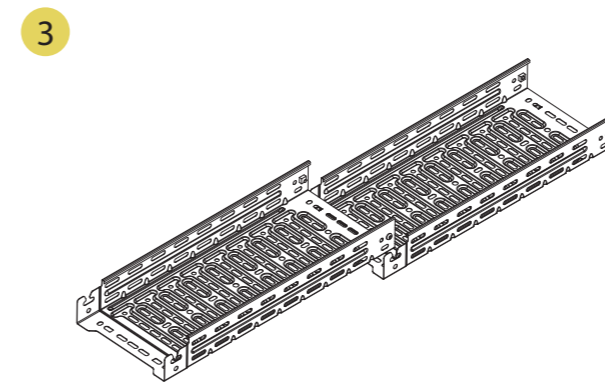
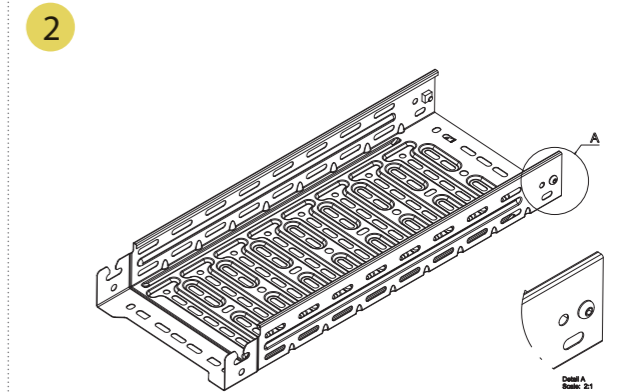
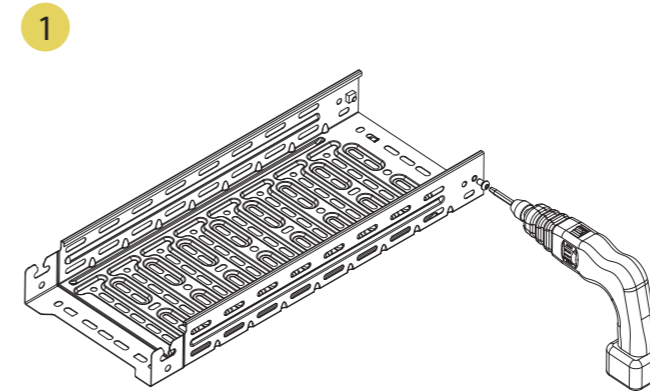
Type Artikelnummer	Thickness Dicke t mm	Weight Gewicht kg/pcs	Min.Package Kleinste VPE
KR KPM2	1,5	0,180	10 Pcs

P Pregalvanized / Bandverzinkt

Mounting plate is fixed on the side rail of the cable tray using 3 x KH BBFS M6. Fasteners are included. *Die Montageplatte wird an dem Seitenholm der Kabelrinne mit 3 x KH BBFS M6 befestigt. Verbindungselemente im Lieferumfang enthalten.*



Simplified Mounting With Innovatray
Einfache Montage mit Innovatray



Technical Information

Technische Informationen

All information on Kirac Metal cable trays and the installation guide lines are based on DIN EN 61537. Following are some general comments regarding the handling and installation of the cable management systems.

Alle im Katalog angegebenen Werte und Angaben wurden auf der Grundlage von DIN EN 61537 ermittelt. Nachfolgend einige allgemeine Hinweise für die Montage und Handhabung der Kabeltragsysteme

Cable Trays: General Information And Installation Guide Kabeltragsysteme–Allgemeine Informationen und Montageanleitung



CONTENTS / INHALT

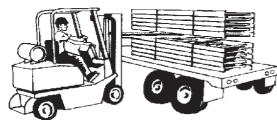
- 1 Receiving and Unloading / Wareneingang und Ausladen
Storage / Lagerung
- 2 Installation / Montage
Installation of Cable Trays / Montage der Kabeltragsysteme
Installation of Accessories / Montage der Anschlußstücke
- 3 Material and Finish / Material und Oberflächen
Materials / Material
Finishes / Oberflächen
- 4 Corrosion / Korrosion
Atmospheric Corrosion / Atmosphärische Korrosion
Chemical Corrosion / Chemische Korrosion
Storage Corrosion / Korrosion während der Lagerung
Galvanic Corrosion / Kontaktkorrosion
- 5 Strength / Belastungsfähigkeit
Support Span / Stützweiten
Future Expansion Requirement / Erweiterungsmöglichkeiten
- 6 Electromagnetic Compatability (EMC) / Elektromagnetische Verträglichkeit (EMV)
EMC Implementation / EMV Sicherstellung
Separator Requirement / Trennsteg
Electrical Continuity / Leitfähigkeit
- 7 Suggestions for the Use of Kirac Metal Cable Trays / Generelle Hinweise zur Auswahl von Kirac Kabeltragsystemen



1.RECEIVING AND UNLOADING

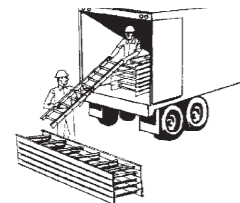
Cable trays are generally bundled and shipped via motor freight, except for export shipments that could be loaded in containers. Accessories and small components are boxed and often skidded. During receiving and unloading of cable trays, some caution should be applied as shown in the pictures below.

ACCEPTABLE / MÖGLICH



If the vehicle isn't suitable for unloading by forklift as indicated in the picture above, it should be unloaded by hand. To prevent damage to cable trays, never pull cable tray from the truck by chaining to bottom rung and dragging out of the truck. If hand unloaded, workers should wear gloves and steel toed-footwear.

ACCEPTABLE / MÖGLICH



1.WARENEINGANG

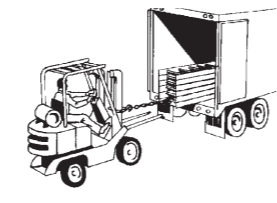
Die Kabelrinnen werden entweder per LKW oder im Container angeliefert. Kleinteile und Zubehör sind normalerweise in Kartons verpackt. Während des Wareneingangs und des Entladevorgangs sollten einige Vorsichtsmaßnahmen beachtet werden wie in den untenstehenden Abbildungen gezeigt.

UN- ACCEPTABLE / NICHT MÖGLICH



Sollte der anliefernde LKW nicht zum Entladen mit dem Gabelstapler geeignet sein, muß wie abgebildet per Hand entladen werden. Dabei müssen Arbeitshandschuhe und Sicherheitsschuhe getragen werden. Die Kabeltrassen müssen immer der Reihe nach von oben entnommen werden, niemals dürfen die unteren Kabelrinnen vorgezogen werden!

UN- ACCEPTABLE / NICHT MÖGLICH



STORAGE

Hot dip galvanized and stainless steel cable trays can be stored without cover but should be loosely stacked, elevated off the ground and ventilated to prevent storage stain. If appearance is important, cable trays should be stored indoors to prevent water or other foreign materials from staining or adhering. Mild galvanized or electro-galvanized cable trays must be protected or stored in well ventilated, dry locations. Electrostatic powder coated cable trays should be protected and stored indoors if possible. Cable trays should be stored away from high traffic areas.

LAGERUNG

Feuerverzinkte Kabelrinnen sowie Kabelrinnen aus Edelstahl können im Außenbereich ohne Abdeckung gelagert werden, müssen aber so gestapelt werden, dass Luft zirkulieren kann und die Rinnen keinen direkten Kontakt zum Boden haben, um die Bildung von Weißrost zu vermeiden. Weißrost ist normalerweise der Korrosionsbeständigkeit nicht abträglich, sofern es sich um geringe Mengen handelt. Wenn das Erscheinungsbild wichtig ist, sollten die Rinnen innen gelagert werden, um Verschmutzungen zu vermeiden. Galvanisch verzinkte Produkte müssen gut belüftet und trocken gelagert werden. Pulverbeschichtete Produkte sollen geschützt und möglichst innen gelagert werden. Um Beschädigungen zu vermeiden, sollten Kabelrinnen nicht an stark frequentierten Gängen gelagert werden.

2.INSTALLATION

Cable tray system design shall comply with DIN EN 61537 and shall follow safe work practices as described in the above standards. Installation instructions are not limited to applications defined in this document. It is recommended that the work described is performed by qualified persons familiar with standard electrical construction practices, electrical equipment and safety of electrical wiring systems. Should that not be possible and there are critical circuits involved, stainless steel cable tray and fire resistant cables should be considered.

2.MONTAGE

Kabeltragsysteme müssen den Anforderungen von DIN EN 61537 und die Montage muß den sicherheitsrelevanten Standards entsprechen. Über die Hinweise dieses Kataloges hinaus kann es Montageerfordernisse geben, die je nach Einzelfall erfüllt werden müssen. Die Montage sollte von qualifiziertem Personal durchgeführt werden, das sich mit der Verlegung von Kabeltragsysteme und den Anforderungen an elektrische Anlagen auskennt.

INSTALLATION OF CABLE TRAY

Cable tray systems are to be installed so they are accessible. If possible 300mm minimum should be left above or between installed systems to allow for cable installation and maintenance. There should be electrical continuity connections between each cable tray and the cable tray system shall be bonded to building steel and earth at least every 18 m.

MONTAGE VON KABELTRAGSYSTEMEN

Die Kabeltragsysteme sollen so montiert sein, dass sie zugänglich bleiben. Wenn möglich soll der lichte Abstand zwischen den einzelnen Lagen nicht kleiner als 300mm sein, um die Verlegung und Wartung der Kabel zu gewährleisten. Mindestens alle 18m muß die Kabelrinne geerdet werden und mit einem tragenden Element des Bauwerkes verbunden werden.

WARNING Do not cut or drill structural building members (e.g. I-beams) without approval by the general contractor. In order to install the cable tray supports, first find the required elevation from the floor to the bottom of the cable tray and establish a level line using a laser or a nylon string.

HINWEIS: Tragende Elemente innerhalb des Bauwerkes wie z.B. die T-Träger dürfen nie ohne ausdrückliche Erlaubnis der Bauleitung angebohrt oder ansonsten in ihrer tragenden Funktion beeinträchtigt werden.

WARNING: Do not use a cable tray as a walkway, ladder or support for people. A cable tray is a mechanical support system for cables. Using cable trays as walkways can cause personal injury and also damage cable trays and installed cables. Performances of cable tray systems are dependent on its proper installation, including supports and cables. Neglecting installation and maintenance guidelines may lead to personal injury as well as damage to property.

Installation and maintenance of cable tray systems shall be conducted only by qualified personnel and responsible people should be trained. Proper care and use of protective equipment such as insulated rubber gloves, hard hat, safety glasses or face shields, dust mask and flash resistant clothing in accordance with established safety practices, need to be applied during installation.

HINWEIS: Kabeltragsysteme sind keine Leitern und sind nicht begehbar. Kabeltragsysteme dienen ausschließlich als Auflagefläche für Kabel. Das Begehen von Kabeltragsystemen kann zu Verletzungen der Personen, der Kabelrinnen und auch der verlegten Kabel führen.

Die Tragfähigkeit der Kabeltragsysteme hängt von der richtigen Montage der Rinnen selber, der Abhängungen und der Kabel ab. Falsche Montage oder Überwachung kann zu Personenschäden oder Sachschäden führen. Die Montage von Kabeltragsystemen soll durch fachkundiges Personal durchgeführt werden.

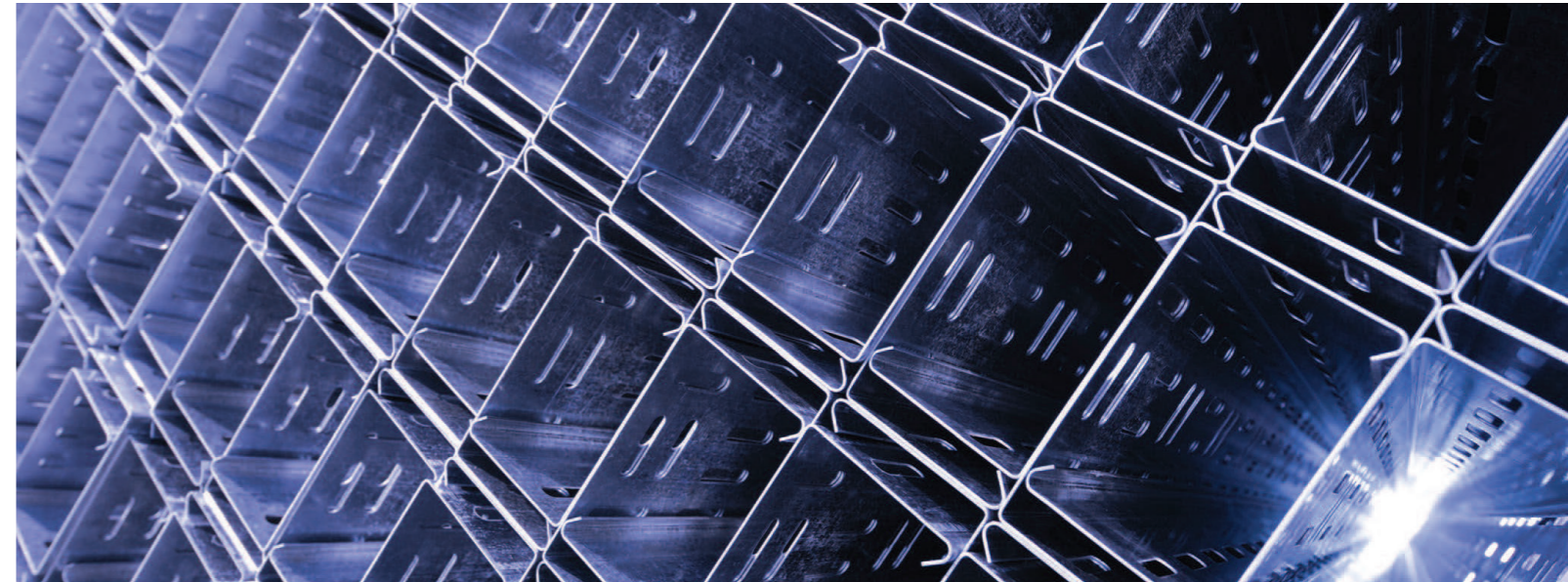
Unfallverhütungsmaßnahmen wie das Tragen von Arbeitsschutzhandschuhen, Helmen, Sicherheitsbrillen oder Gesichtsschutz, Staubmasken und Schutzkleidung müssen entsprechend der jeweiligen Vorschriften eingehalten werden.

INSTALLATION OF ACCESSORIES

Bending radius of accessories are determined by the bending radius of the installed cables. Cable manufacturers define minimum bending radius for each cable. Radius of accessory should be equal or greater to the minimum bending radius of the largest cable. When many cables are installed in the same cable tray, the biggest bending radius should be considered to make installation easier. The positions of a support after a curve are shown in the drawings below. Supports should be placed maximum 600mm from the end of the curve.

MONTAGE VON ANSCHLUSSSTÜCKEN

Der Radius der Anschlußstücke hängt von dem Radius der zu montierenden Kabel ab, bitte beachten Sie hierzu immer die Angaben des Kabelherstellers. Der Radius des Anschlußstückes soll immer gleich oder größer als der kleinste Biegeradius des größten Kabels sein. Bei der Verlegung von mehreren Kabel auf einer Kabeltrasse gibt der größte Biegeradius den Radius des Anschlußstückes vor, um die Montage zu vereinfachen. Die Positionierung der Ausleger ist in den nachfolgenden Darstellungen angegeben. Die dem Anschlußstück folgenden Ausleger dürfen maximal 600mm nach dem Ende des Anschlußstückes angeordnet sein.



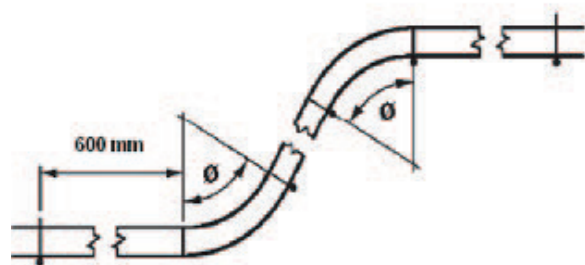
3. MATERIAL AND FINISH

All details relating to the materials and finishes of Kiraç Metal cable trays are given below. The selection of cable tray material and finishes depends on many factors such as environmental conditions, corrosion resistance, material handling and aesthetic view. Kiraç Metal cable trays are manufactured in mild steel, stainless steel and can also be provided in pre-galvanized steel, hot dip galvanized or powder coated.

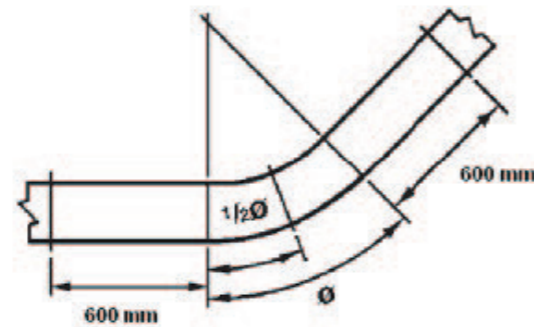
3. MATERIAL UND OBERFLÄCHEN

Alle Angaben über das Material und die Oberflächen der Kiraç Kabeltragsysteme sind in der nachfolgenden Übersicht zusammengefaßt. Die Auswahl des Materials und der Oberflächenveredelung hängen von vielen Faktoren ab wie Umweltbedingungen, Korrosionsbeständigkeit, Handhabung und Esthetik. Die Kiraç Kabeltragsysteme sind erhältlich in Bandstahl, Edelstahl und auch in verzinktem Ausgangsmaterial, feuerverzinkt oder pulverbeschichtet.

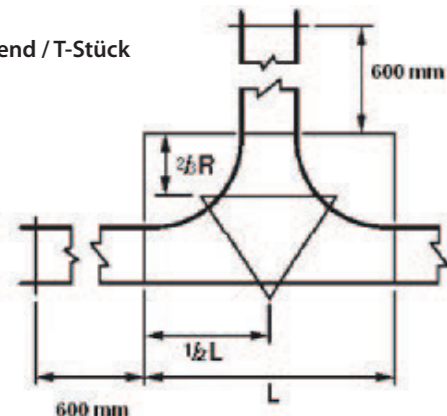
Inside-Outside Riser / Fallstück / Steigstück



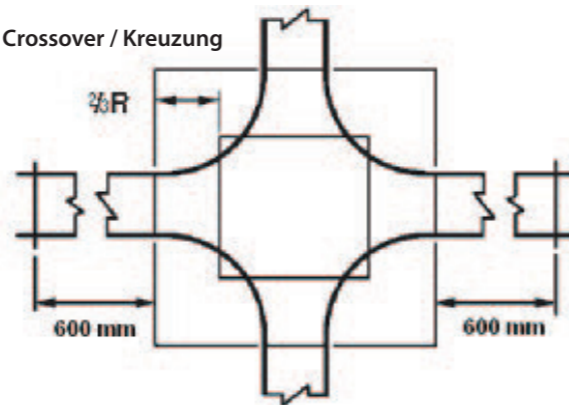
Horizontal Bend / Kurvenstück



Tee Bend / T-Stück



Crossover / Kreuzung



Standards Environment / Umweltbedingungen	Pre-Galvanized DIN EN 10346 / Bandverzinkt DIN EN 10346	Hot Dip Galvanized DIN EN ISO 1461 / Feuerverzinkt DIN EN ISO 1461	Stainless Steel DIN EN 10088-2 / Edelstahl DIN EN 10088-2	Epoxy Coating DIN EN ISO 12944 / Epoxy Beschichtung DIN EN ISO 12944
INDOOR / Innenbereich	●			●
OUTDOOR - URBAN / Außenbereich - Stadt		●		
OUTDOOR - INDUSTRIAL / Außenbereich - Industrie		●		
OUTDOOR - MARINE / Außenbereich - Meeresluft		●		
MINERAL ACID / Mineralische Säuren		●		●
ORGANIC ACID / Organische Säuren		●		●
BASES / Laugen		●	●	●
HALOGENS / Halogene			●	●
OIL & GAS / Petrochemische Industrie		●	●	●
FOOD INDUSTRY / Nahrungsmittelindustrie			●	●

● Recommended / Empfohlen ● Possible / Möglich

MATERIALS

While manufacturing cable trays, cable ladders with all accessories, mild steel or stainless steel to 1.4301 or 1.4404 are used:

- 1- Cold-rolled mild steel
- 2- Cold-rolled mild steel in accordance with DIN EN 10346
- 3- Stainless steel type 304 number 1.4301
- 4- Stainless steel type 316 number 1.4404

MATERIAL

Die Kiraç Kabeltragsysteme werden aus Bandstahl oder rostfreiem Stahl Werkstoff- Nr. 1.4301 und 1.4404 hergestellt:

- 1- Stahl, blank
- 2- Stahl, bandverzinkt nach DIN EN 10346
- 3- Edelstahl, Werkstoff Nr. 1.4301
- 4- Edelstahl, Werkstoff Nr. 1.4404

FINISHES OBERFLÄCHEN

Galvanizing

Galvanization is the process of applying a protective zinc coating to metal, in order to prevent rusting and galvanic corrosion. Although galvanization can be done with electrochemical and electro deposition processes, the most common method in current use is hot-dip galvanization, in which steel parts are submerged in a bath of molten zinc. Zinc protects steel in two ways. Firstly, it protects the steel as a coating and second as a sacrificial anode to such areas as cut edges or scratches. Anti-corrosion protection is also ensured at places where the metal is cut, since the zinc acts as anode, and is thus solubilizing into zinc oxide, with the result that the steel base is protected.

Pre-galvanized finishes to DIN EN 10346

Pre-galvanized steel comprises of sheet metal which has been hot dip galvanized in continuous production lines according to DIN EN 10346. For material of under 2 mm thickness the zinc oxide layer as described above is relevant.

Coating thickness:

Z100:10 µm ± 4 µm

Z275:20 µm ± 7 µm

Field of application: indoor

Hot Dip Galvanized finishes to DIN EN 1461

The coating method provides corrosion protection by immersing the steel manufactured products in a molten zinc bath after production according to DIN EN 1461. A chemical bond with the steel provides overall protection with zinc coating inside, outside, in corners products.

It is not recommended to cut, drill or do any operations on hot dip galvanized products. If it is necessary to do, so after this operation, galvanized spray should be applied to protect the surface.

Field of application: indoor /outdoor

Coating thickness; Thickness of the material and coating of the hot dip galvanized products according to DIN EN 1461 standard are given in the table below.

Verzinkung

Durch die Aufbringung einer schützenden Zinkschicht wird der Stahl vor den Folgen der Korrosion geschützt. Unterschiedliche Methoden stehen zur Verfügung, wie das elektrolytische Verfahren (galvanische Verzinkung) oder die Schmelztauchverfahren z.B. die Sendzimirverzinkung oder die Feuerverzinkung, bei denen der Stahl durch das Tauchen in ein Zinkbad eine Legierung mit dem Zink eingeht. Der Zink schützt den Stahl zweifach: einmal wirkt die Zinkschicht selbst schützend, zweitens wirkt der Zink wie eine Opferanode, die auch Schnittkanten oder Kratzer schützen kann. Dort geht die Zinkschicht in Zinkoxid über und schützt die verletzten Oberflächenbereiche.(kathodische Schutzwirkung)

Bandverzinkung nach DIN EN 10346

Die Feuerverzinkung wird in einem Zinkbad aufgebracht, das das Material kontinuierlich durchläuft. Für Material von unter 2mm Dicke wirkt der oben beschriebene kathodische Schutz.

Schichtdicke:

Z100:10 µm ± 4 µm

Z275:20 µm ± 7 µm

Einsatzbereich: Innenräume

Tauchfeuerverzinkt nach DIN EN ISO 1461

Bei dieser Methode werden die Produkte vollständig in ein Bad aus flüssigem Zink eingetaucht. Dadurch entsteht eine chemische Reaktion des Stahls mit dem Zink, die einen umfassenden Schutz sowohl auf den Innen-, als auch den Außenflächen der Produkte einschließlich gebogener und abgekannter Teile bietet.

Eine Beschädigung der Verzinkung durch Schneiden, Bohren oder andere Verformungen ist nicht ratsam. Sollte dies in Ausnahmefällen nötig sein, muß eine Zinkstaubfarbe oder Zinkspray aufgebracht werden.

Einsatzbereich: Innen- und Außenbereiche

Die einzelnen Schichtdicken in Abhängigkeit der Materialstärke ist in der nachfolgenden Tabelle dargestellt.

MIN COATING THICKNESS ACCORDING TO DIN EN 1461 / MINDESTSCHICHTDICKEN NACH DIN EN 1461					
Class / Klasse	Material and its thickness / Material und Materialstärke	Min local coating thickness gr/m ² - µm / Min Zinkschicht gr/m ² - µm		Min average coating thickness gr/m ² - µm / Min durchschnittliche Zinkschicht gr/m ² - µm	
K	Steel ≥ 6mm / Stahl ≥ 6mm	505gr/m ²	70µm	610gr/m ²	85µm
L	Steel ≥ 3mm - < 6mm / Stahl ≥ 3mm - < 6mm	395gr/m ²	55µm	505gr/m ²	70µm
M	Steel ≥ 1,5mm - < 3mm / Stahl ≥ 1,5mm - < 3mm	325gr/m ²	45µm	395gr/m ²	55µm
N	Steel < 1,5mm / Stahl < 1,5mm	250gr/m ²	35µm	325gr/m ²	45µm
P	Cast ≥ 6mm / Guß ≥ 6mm	505gr/m ²	70µm	575gr/m ²	80µm
R	Cast < 6mm / Guß < 6mm	430gr/m ²	60µm	505gr/m ²	70µm

The table is for general use, regulations for the single products may include different requirements, including various thickness categories. A requirement may be added for thicker coatings or for additional requisites, without influencing conformity with this standard.

Die Tabelle deckt den Regelfall ab. Spezielle Anwendungsfälle könnten größerer Beschichtungsdicken erforderlich machen, wodurch die Konformität mit dieser Vorschrift nicht berührt wird.

COATINGS: EPOXY COATING EPOXYBESCHICHTUNG

The powder coating makes the cable trays superiorly durable and resistant to oxidation. After powder coating the cable trays are absolutely resistant against rust and other rough corrosive factors, which leave the products with the best of finishes. Epoxy is definitely the most effective type of coating.

Characteristic: The process of epoxy powder coating involves spraying the dry, electrostatically charged powder onto the electrically grounded object. The powder particles are attracted to the metal and stick evenly to every exposed part of the object. The powder is cured by baking it onto the object, forming a skin over the surface of the metal.

Benefits: provides a high corrosion protection; saves maintenance time, excellent adhesion.

Colour: Epoxy coatings are available in a variety of colours (according to the RAL system).

Thickness: The epoxy coatings are applied to mild steel with the average thickness of 80+/-20 µm.

Diese Pulverbeschichtung bietet einen hervorragenden und dauerhaften Schutz gegen Korrosion. Die Kabeltragsysteme sind gegen Rost und andere Umwelteinflüsse völlig geschützt, wenn sie mit der Epoxybeschichtung versehen sind. Sie ist ohne Zweifel die wirkungsvollste Beschichtung.

Eigenschaften: Die Beschichtung erfolgt durch Aufsprühen des trockenen, elektrostatisch aufgeladenen Pulvers auf die elektrisch geerdeten Produkte. Die Pulverpartikel werden vom Metall angezogen und haften so völlig gleichmäßig auf dem Objekt. Das Pulver wird dann durch Backen auf dem Objekt fixiert, wodurch sich eine Schutzhaut auf dem Metall bildet.

Vorteile: hohe Korrosionsbeständigkeit, wartungsfrei, außergewöhnlich gute Haltbarkeit.

Farben: Epoxybeschichtungen sind in fast allen RAL Farben erhältlich.

Schichtdicken: Epoxybeschichtungen werden auf Bandstahl in einer durchschnittlichen Schichtdicke von 80+/-20 µm aufgebracht.

4. CORROSION 4. KORROSION

All metal surfaces corrode. Chemical or electromechanical corrosion occurs depending on the atmosphere and physical characteristics of metal.

Alle metallischen Oberflächen korrodieren. Chemische oder elektromechanische Korrosion tritt auf in Abhängigkeit von der jeweiligen Umgebung und den physischen Eigenschaften des Metalls.

ATMOSPHERIC CORROSION ATMOSPHERISCHE KORROSION

Atmospheric corrosion occurs when metal is exposed to liquid, solids and gas. Reasons of atmospheric corrosion are humidity, salt, dirt and sulfuric acid. This type of corrosion occurs in harsh outdoor and in marine environments.

Atmosphärische Korrosion tritt auf, wenn Metall bestimmten Flüssigkeiten, festen Stoffen oder Gasen ausgesetzt ist. Der Auslöser der atmosphärischen Korrosion ist Feuchtigkeit, Salz, Schmutz oder Schwefelsäure. Diese Korrosion kann in harscher Umgebung oder durch Seeluft verursacht werden.

CHEMICAL CORROSION CHEMISCHE KORROSION

Chemical corrosion occurs when metal has direct contact with corrosive solutions. Factors that affect the severity of chemical corrosion are the level of chemical concentration, duration of contact, frequency of washing and operating temperature.

Chemische Korrosion tritt dann auf, wenn das Metall in direkten Kontakt mit korrosiven Lösungen kommt. Der Grad der Korrosion wird beeinflusst durch die Konzentration der chemischen Substanz, die Dauer und die Häufigkeit des Kontaktes und die Umgebungstemperatur.

GALVANIC CORROSION KONTAKTKORROSION

Galvanic corrosion occurs when different types of metal or different types of metal or alloy are in contact with each other in the same environment. To avoid galvanic corrosion there should be isolation between metals and corrosion inhibiting materials should be added in the environment.

Kontaktkorrosion tritt dann auf, wenn unterschiedliche Metalle oder Aluminium miteinander in der selben Umgebungsatmosphäre in Kontakt kommen. Um Kontaktkorrosion zu vermeiden, müssen die Metalle durch ein neutrales Material isoliert werden.

Corrosion of coated and uncoated steel are shown in the following table.

Korrosion von verzinktem und unverzinktem Material ist in der folgenden Tabelle dargestellt.

Corrosion categories according to DIN EN ISO 12944 / Korrosivitätskategorien nach DIN EN ISO 12944

Corrosion category/ Korrosivitätskategorie	Thickness loss in 1 year / Dickenverlust im 1 Jahr (µm/a)	
	Low-carbon steel / C-Stahl	Zinc / Zink
C1 very low / unbedeutend	≤ 1,3	≤ 0.1
C2 low / gering	> 1,3 to/bis 25	> 0.1 to/bis 0.7
C3 medium / mäßig	> 25 to/bis 50	> 0.7 to/bis 2.1
C4 high / stark	> 50 to/bis 80	> 2.1 to/bis 4.2
C5-I very high (industrial) / sehr stark (Industrie)	> 80 to/bis 200	> 4.2 to/bis 8.4
C5-M very high (marine) / sehr stark (Meer)	> 80 to/bis 100	> 4.2 to/bis 8.4

Table 2 - Zinc Coating Thickness Of Reference Materials

Class	Minimum Thickness µm	Minimum Coating to DIN EN 10327 or DIN EN 10326 µm	Coating Thickness(minimum) to DIN EN ISO 1461 µm
0*	-	-	-
1	5	-	-
2	12	-	-
3	-	15	-
4	-	19	-
5	-	-	45
6	-	-	55
7	-	-	70
8	-	-	85

* As declared by the manufacturer.

Tabelle 2 Beschichtungsdicke des jeweiligen Materials

Klasse	Min. Schichtdicke µm	Min. Schichtdicke nach DIN EN 10327 und DIN EN 10326 µm	Min. Schichtdicke nach DIN EN ISO 1461
0*	-	-	-
1	5	-	-
2	12	-	-
3	-	15	-
4	-	19	-
5	-	-	45
6	-	-	55
7	-	-	70
8	-	-	85

* Laut Herstellerangabe

CLASSIFICATION FOR RESISTANCE AGAINST CORROSION

KLASSIFIZIERUNG DER KORROSIONSFESTIGKEIT

Cable trays are made of steel with metallic finishes or stainless steel (Resistance to corrosion is classified according to Table 1 and coating thicknesses in Table 2)

Kabeltrassen werden aus Stahl mit metallischer Oberflächenbeschichtung oder aus Edelstahl hergestellt. (Die Korrosionsfestigkeit wird in Tabelle 1 beschrieben, Tabelle 2 zeigt die Schichtdicke.)

Table 1 - Classification For Resistance Against Corrosion

Class	Reference material and finish
1	(a) None
2	Electroplated to a minimum thickness of 5 µm
3	Electroplated to a minimum thickness of 12 µm
4	Pre-galvanised to grade 275 to EN 10327 and EN 10326
5	Pre-galvanised to grade 350 to EN 10327 and EN 10326
6	Post-galvanised to a zinc mean coating thickness (minimum) of 45 µm according to ISO 1461 for zinc thickness only
7	Post-galvanised to a zinc mean coating thickness (minimum) of 55 µm according to ISO 1461 for zinc thickness only
8	Post-galvanised to a zinc mean coating thickness (minimum) of 70 µm according to ISO 1461 for zinc thickness only
9	Post-galvanised to a zinc mean coating thickness (minimum) of 85 µm according to ISO 1461 for zinc thickness only
9A	Stainless steel manufactured to ASTM: A 240/A 240M - 95a designation S30400 or EN 10088 grade 1 - 4301 without a post treatment (b)
9B	Stainless steel manufactured to ASTM: A 240/A 240M - 95a designation S31603 or EN 10088 grade 1 - 4404 without a post treatment (b)
9C	Stainless steel manufactured to ASTM: A 240/A 240M - 95a designation S30400 or EN 10088 grade 1 - 4301 with a post treatment (b)
9D	Stainless steel manufactured to ASTM: A 240/A 240M - 95a designation S31603 or EN 10088 grade 1 - 4404 with a post treatment (b)

Tabelle 1 - Klassifizierung der Korrosionsfestigkeit

Klasse	Referenz-Werkstoff und Oberflächenbehandlung
1	Keine (a)
2	Elektroplattiert bis zu einer Mindestdicke von 5 µm
3	Elektroplattiert bis zu einer Mindestdicke von 12 µm
4	Vorgalvanisiert bis Grad 275 nach EN 10326 und EN 10327
5	Vorgalvanisiert bis Grad 350 nach EN 10326 und EN 10327
6	Endgalvanisiert auf eine Zinkbeschichtungsdicke von (Minimum) 45 µm nach ISO 1461
7	Endgalvanisiert auf eine Zinkbeschichtungsdicke von (Minimum) 55 µm nach ISO 1461
8	Endgalvanisiert auf eine Zinkbeschichtungsdicke von (Minimum) 70 µm nach ISO 1461
9	Endgalvanisiert auf eine Zinkbeschichtungsdicke von (Minimum) 85 µm nach DIN EN ISO 1461
9A	Nichtrostender Stahl, hergestellt nach ASTM: A 240/A 240M - 95a Bezeichnung S30403 oder DIN EN 10088 Grad 1 - 4301 ohne eine Endbehandlung (b)
9B	Nichtrostender Stahl, hergestellt nach ASTM: A 240/A 240M - 95a Bezeichnung S31603 oder DIN EN 10088 Grad 1 - 4301 ohne eine Endbehandlung (b)
9C	Nichtrostender Stahl, hergestellt nach ASTM: A 240/A 240M - 95a Bezeichnung S30403 oder DIN EN 10088 Grad 1 - 4301 ohne eine Endbehandlung (b)
9D	Nichtrostender Stahl, hergestellt nach ASTM: A 240/A 240M - 95a Bezeichnung S31603 oder DIN EN 10088 Grad 1 - 4404 ohne eine Endbehandlung (b)

(a) For materials which have no declared corrosion resistance classification

(a) Bei Werkstoffen, die keine deklarierte Korrosionsfestigkeitsklassifizierung haben

(b) The post-treatment process is used to improve the protection against crevice crack corrosion and the contamination by other steels

(b) Der Endbehandlungsprozess wird eingesetzt um den Schutz gegen Spaltsprungkorrosion und die Kontaminierung anderer Stähle zu verbessern.

5. STRENGTH

5. BELASTUNGSFÄHIGKEIT

Support Span

Stützweiten

The Strength of a cable tray system is largely determined by the distance between the supports on which it is installed, commonly referred to as 'support span'. Therefore the strength of a cable tray system can be altered by changing the support span. Once the load requirement of a cable tray system has been established, the following factors should be considered.

Die Tragfähigkeit des Kabeltragsystems hängt entscheidend von der Stützweite ab, d.h. durch die Veränderung der Stützweiten kann die Tragfähigkeit ebenfalls verändert werden. Je kleiner die Stützweite ist, je größer ist die Tragfähigkeit. Sobald die Kabellast ermittelt worden ist, müssen die folgenden Bedingungen berücksichtigt werden:

- Sometimes the location of existing structural beams will dictate the cable tray support span. This is typical with outdoor installations where adding intermediate supports could be financially prohibitive. For this situation the appropriate cable tray must be selected to accommodate the existing spans.
- When cable tray supports are randomly located the added cost of a higher strength cable tray system should be compared with the cost of additional supports. Typically adding supports is more costly than installing a stronger series of cable tray. Future cable additions or the capability of supporting equipment also favor stronger cable tray systems. In summary, upgrading to a stronger cable series is typically more cost effective than using the recommended additional supports for a lighter duty cable tray series.
- The support span length should be equal or less than uncoupled straight section lengths to ensure that no more than one splice is placed between the supports.

- Bei der Nachrüstung an bestehenden Bauwerken und Projekten müssen die Rahmenbedingungen und die Entfernungen der vorhandenen Träger entsprechend bei der Auswahl der Kabelrinne berücksichtigt werden. Gegebenfalls müssen Weitspannrinnen eingesetzt werden.
- Bei der Auswahl der Kabeltragsysteme kann ein Kostenvergleich zu erheblichen Einsparungen führen. Dabei sind die Kosten für eine Leichterinne mit einer entsprechend höheren Anzahl von Stützen mit den Kosten einer Schwerlastrinne und entsprechend weniger Stützen gegenüberzustellen. Da die Kosten der Stützen und deren Montage meist deutlich höher sind als die Mehrkosten der Schwerlastrinne, ist dies oft die günstigere Lösung.
- Zwischen 2 Stützen soll maximal eine Stoßstelle montiert werden.

FUTURE EXPANSION REQUIREMENT

When selecting a cable tray, future expansion requirement should be considered and allowance should be made in terms of space and load capacity. A min of 50% expansion allowance is recommended.

ERWEITERUNGSMÖGLICHKEITEN

Bei allen Kabelrinnen ist eine zukünftige Erweiterung der Kabelanlage einzuplanen. Entsprechend muss die Dimensionierung der Kabeltragsysteme so berechnet werden, dass noch weitere Kabel aufgenommen werden können. 50% zusätzliches Volumen wird empfohlen.

6.ELECTROMAGNETIC COMPATIBILITY (EMC)

Electromagnetic compatibility : Capacity of an appliance or a system to work correctly in its electromagnetic environment without producing electromagnetic pollution.

ELEKTROMAGNETISCHE VERTRÄGLICHKEIT (EMV)

Elektromagnetische Verträglichkeit ist die Fähigkeit einer elektrischen Einrichtung so in ihrer elektromagnetischen Umgebung zu funktionieren, dass keine elektromagnetische Beeinflussung entsteht.

EMC IMPLEMENTATION

Selection of materials and their shape depends on the following criteria:

- Severity of the EM environment along cable trays (proximity of sources of conducted or radiated EM disturbances)
- Authorised level of conducted and radiated emissions
- Type of cables
- Other environmental constraints (chemical, mechanical, climatic, fire, etc.)

EMV SICHERSTELLUNG

Die Auswahl der Materialien und ihre Form hängt von folgenden Kriterien ab:

- Schwere der EM Beeinflussung entlang der Kabeltrasse (Wahrscheinlichkeit von Störquellen)
- Identifizierung und Quantifizierung der Störquellen
- Kabelart
- Andere Umwelteinflüsse (chemische, mechanische, klimatische, Feuer, etc.)

For metal cable trays, it is the shape (flat, U-shape, tube, etc.) rather than the crosssectional area that determines the characteristic impedance. Closed shapes are better than open shapes because they reduce common-mode coupling. Cable trays often have slots for cable straps. The smaller the better. The types of slots causing the fewest problems are those cut parallel and at some distance from the cables. (see Fig.1).

Bei Kabeltragsystemen aus Metall entscheidet die Form (flach, U-förmig, röhrenförmig, etc.) nicht die Masse über den elektrischen Widerstand. Geschlossene Formen sind vorteilhafter als offene, da sie die Rückkopplung reduzieren. Kabelrinnen haben oft Schlitze, die aus dem soeben beschriebenen Grund nicht vorteilhaft sind, und wenn sie erforderlich sind, sollten sie parallel angeordnet und in einiger Entfernung zum Kabel sein. (s. Abb. 1)

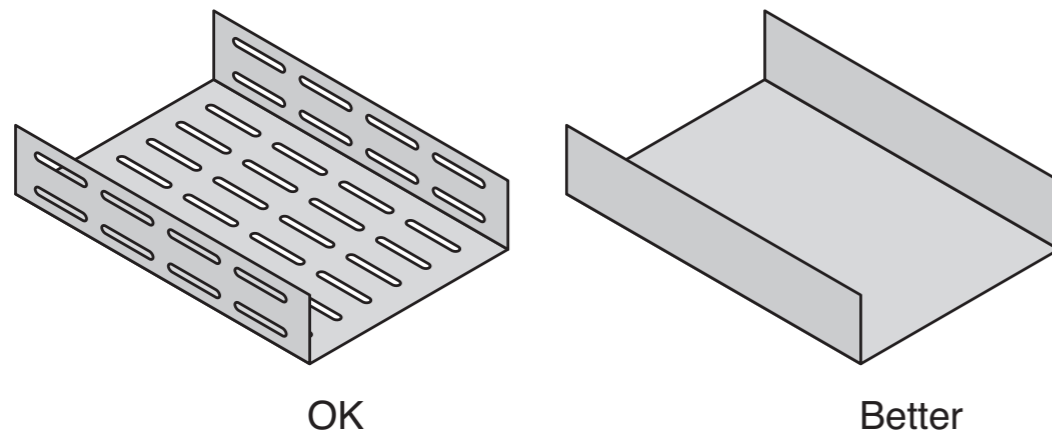


Fig.1: EMC performance of various types of metal cable trays / Abb.1: EMV Verhalten von unterschiedlichen Kabelrinnen

Different types of cables (power and low-level connections) should not be installed in the same bundle or on the same cable tray. Cable trays should never be filled to more than half capacity.

It is recommended to separate groups electromagnetically from one another, by either using shielding or by installing the cables in different cable trays. The quality of the shielding determines the distance between groups. If there is no shielding, sufficient distances must be maintained (see Fig.2). The distance between power and control cables must be at least 5 times the radius of the larger power cable.

Unterschiedliche Kabel (Energiekabel und Niederspannungskabel) sollten nie auf einer Kabeltrasse verlegt werden. Kabelrinnen sollten nie mehr als zur Hälfte befüllt werden.

Es wird empfohlen, unterschiedliche Kabel entweder durch Trennstege voneinander zu trennen oder auf verschiedenen Rinnen zu verlegen. Die Qualität der Abschirmung entscheidet über die Distanz der Kabel. Ohne Abschirmung muß Distanz zwischen den unterschiedlichen Kabelarten (siehe Abb. 2) vorhanden sein. Der Abstand zwischen den Energiekabeln und den Datenübertragungskabeln muß mindestens 5mal den Radius des größten Energiekabels betragen.

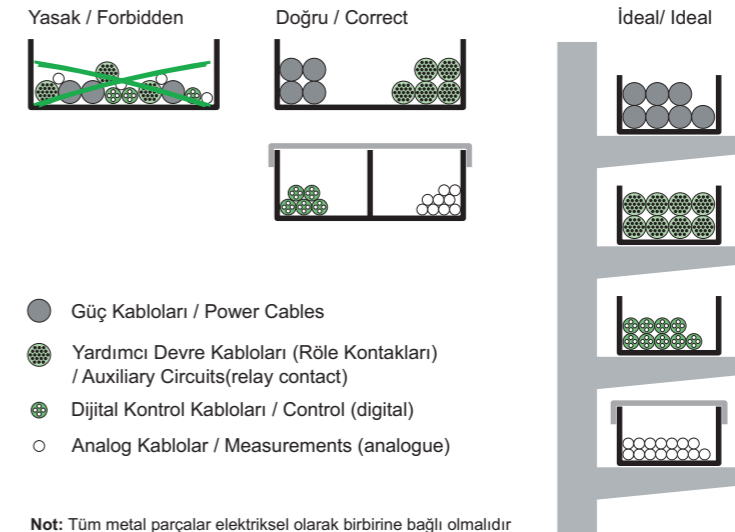


Fig.2: Installation of groups of cables on cable trays / Abb.2: Verlegearten für Kabelbündel auf Kabelrinnen

Metal building components can be used for EMC purposes. Steel beams (L, H, U or T shaped) often form an uninterrupted earthed structure with large transversal sections and surfaces with numerous intermediate earthing connections. If possible cables should be run along such beams. Inside corners are better than the outside surfaces (see Fig.3).

Träger können ebenfalls zur Sicherstellung der EMV verwendet werden. Stahlträger (Winkel, T-Träger, U-Profil oder H-Träger) bilden oft eine ununterbrochene geerdete Einheit mit großen Querschnitten und Oberflächen, die zahlreiche Erdungspunkte aufweisen. Kabel sollten immer wenn möglich längs derartiger Träger verlegt werden. Die Innenseiten sind dabei den Außenseiten gegenüber zu bevorzugen, siehe Abb. 3.

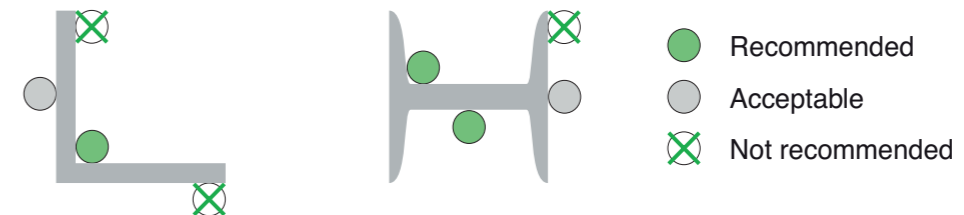


Fig.3: Recommendation to install cables in steel beams / Abb 3: Montage von Kabeln an Stahlträgern

Both ends of the metal the cable management system must always be connected to local earth electrodes. For very long cable trays, additional connections to the earthing system are recommended between connected devices. Where possible, the distance between these earthing connections should be irregular (for symmetrical wiring systems) to avoid resonance at identical frequencies. All connections to the earthing system should be short. Metal and non-metal cable trays are available. Metal solutions offer better EMC characteristics. A cable management system (cable trays, conduits, cable brackets, etc.) must offer a continuous, conducting metal structure from beginning to end. The EMC of non-metal cable trays can be improved by adding a parallel earthing conductor (PEC) inside the cable tray. Both ends must be connected to the local earthing system. Connections should be made to a metal part with low impedance (e.g. a large metal panel of the device)

An beiden Enden der Kabeltrasse muss eine Erdung erfolgen. Bei sehr langen Kabeltrassen ist eine Erdung auch zwischen den einzelnen Stoßstellen empfehlenswert. Wenn möglich sollte der Abstand zwischen den Erdungspunkten unregelmäßig sein, um eine Resonanz auf gleicher Frequenz zu vermeiden. Alle Verbindungen zur Erdung müssen kurz sein. Es gibt Kabeltragsysteme aus Metall und aus nicht-metallischem Material. Die Metallvariante bietet bessere EMV Eigenschaften. Eine Kabeltrasse (Kabelrinnen, Kabelschellen, Leitungsröhre, etc.) muss eine kontinuierliche, leitende Metallkonstruktion vom Anfang bis zum Ende sein. Die EMV von nichtmetallischen Kabelrinnen kann durch die zusätzliche Verwendung von Paralleleitern (PEC) innerhalb der Kabelrinne verbessert werden. Beide Enden müssen geerdet werden und zwar mit einem Metallteil mit niedrigem Widerstand. Der PEC soll so ausgelegt werden, dass er hohe Kurzschlußströme und Gleichtaktströme ausgleichen kann.

SEPARATOR REQUIREMENT

Separators are used to separate cable systems for example when cables above or below 600 volt are installed in the same cable tray. However when MC type cables are installed in the same cable tray with cables rated 600 volt or less, no separator is required. Separators should be made of the same material as the cable tray. When ordering separators the height must match the loading depth of the cable tray into which it will be installed.

TRENNSTEGE

Trennstege werden verwendet, um unterschiedliche Kabelsysteme voneinander zu trennen, z.B. wenn Kabel unter und über 600 Volt auf einer Kabeltrasse zusammen verlegt werden. Metallmantelkabel können ohne Trennsteg mit Kabeln bis zu 600 Volt verlegt werden. Die Trennstege müssen aus dem gleichen Material gefertigt werden wie die Kabeltrassen und so hoch sein, die gleiche Holmhöhe haben.

ELECTRICAL CONTINUITY

LEITFÄHIGKEIT

When a metal cable tray is made up of a number of short sections, care is required to ensure continuity by correct bonding of the different parts. The parts should preferably be welded along all edges. Riveted, bolted or screwed connections are authorised as long as the contact surfaces conduct current (no paint or insulating coatings) and are protected against corrosion. Tightening torques must be observed to ensure correct pressure for the electrical contact between two parts. When a particular shape of cable tray is selected, it should be used for the possible entire length. All interconnections must have a low impedance. A single wire connection between two parts of the cable tray produces a high local impedance that cancels its EMC performance. Starting at a few MHz, a ten-centimetre connection between two parts of the cable tray reduces the attenuation factor by more than a factor of ten (see Fig.4).

Wenn eine Kabeltrasse aus mehreren kurzen Stücken besteht, muss darauf geachtet werden, dass die Leitfähigkeit durch richtige Verbindung der einzelnen Stücke gewährleistet wird. Gegebenfalls kann geschweißt werden, ansonsten sind Nieten, Schrauben oder Nägel möglich, so lange der Kontakt der Oberflächen so stark ist, dass Strom geleitet werden kann (keine Isolierbeschichtungen) und Korrosionsschutz aufgebracht wird. Anziehmomente müssen korrekt eingehalten werden, damit der Druck zwischen den Teilen so aufgebaut wird, dass eine elektrische Leitfähigkeit gewährleistet ist. Eine Kabeltrasse sollte immer aus der gleichen Form von Kabelrinnen sein. Alle Verbindungen müssen eine niedrige Impedanz haben. Alle Wanddurchführungen müssen einen geringen Kopplungswiderstand haben. Die Verbindung von zwei Kabelrinnen mit einzelnen Drähten lässt einen sehr hohen Kopplungswiderstand entstehen, der die EMV völlig beseitigen. Beginnend mit einigen MHz kann eine 10 cm lange Verbindung zwischen zwei Kabelrinnen den Dämpfungsfaktor um mehr als das Zehnfache verringern. (siehe Abb.4)

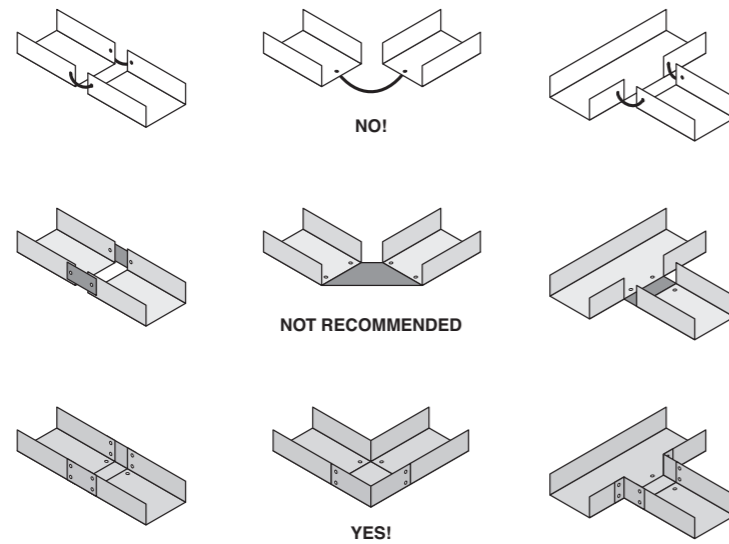


Fig.4: Metal cable trays assembly / Abb.4: Anschlüsse

Each time modifications or extensions are made, it is very important to ensure EMC rules (e.g. never replace a metal cable tray by a plastic version).

Covers for metal cable trays must meet the same requirements as those applied to the cable trays themselves. A cover should have a large number of contacts along the entire length. If that is not possible, it must be connected to the cable tray at least at the two ends using short connections (e.g. braided or meshed connections).

Immer wenn eine bestehende Kabeltrasse erweitert oder verändert werden soll, müssen die EMV Vorschriften eingehalten werden. (z.B. darf keine Metallrinne durch eine Kunststoffrinne ersetzt werden.)

Abdeckungen für Kabelrinnen müssen den gleichen Anforderungen genügen wie die Kabelrinne selbst. Die Abdeckung sollte an zahlreichen Stellen entlang der Trasse mit der Kabelrinne verbunden werden. Wenn das nicht möglich ist, müssen zumindest die beiden Enden mit einer festen Verbindung fixiert werden.

7.SUGGESTIONS FOR THE USE OF CABLE TRAYS

GENERELLE HINWEISE ZUR AUSWAHL VON KIRAC KABELTRAGSYSTEMEN

- When selecting cable tray series specifications, quantities, type of installed cables and loading capacity should be considered well. Cable trays are produced in categories as innovatray, heavy duty and cable ladder for different applications.

- Support systems are designed to allow installation to the wall or from the ceiling with profiles, threaded rods or brackets. Support spans change according to the type of installation, type of cable trays and load to be applied. The support span length should not exceed the length of the cable tray.

- Recommended quantity of c type cover clips depend on the width of the product.

- For 3000 mm Cable Tray - 6 pcs.
- For Horizontal 90° Elbow - 3 pcs.
- For Inside/Outside Riser - 4 pcs.
- For Tee Bend - 3 pcs.
- For Crossover - 4 pcs.

- For support systems of up to 300 mm width it is recommended to use M8 steel dowels and M10 steel dowels for over 300 mm long supports.

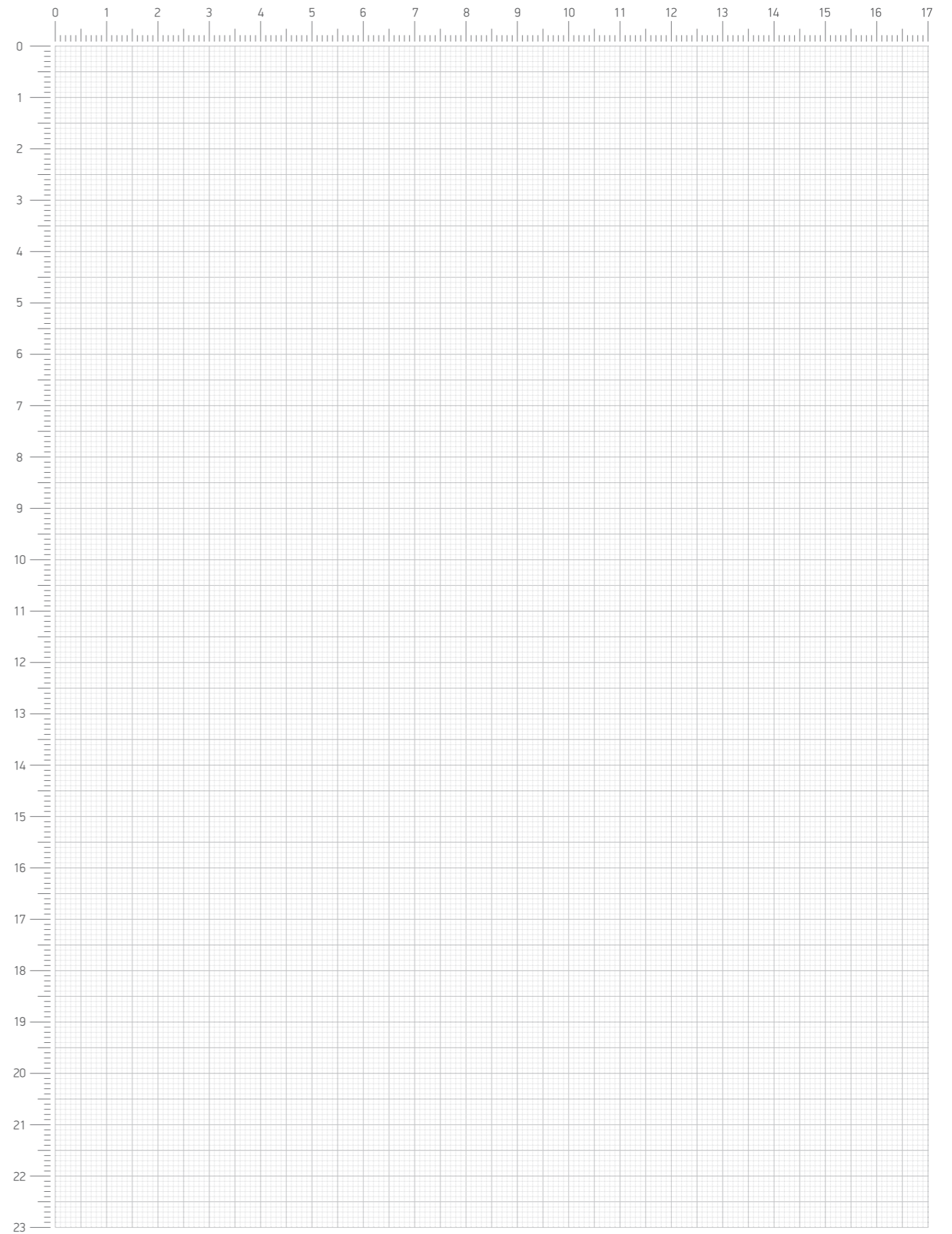
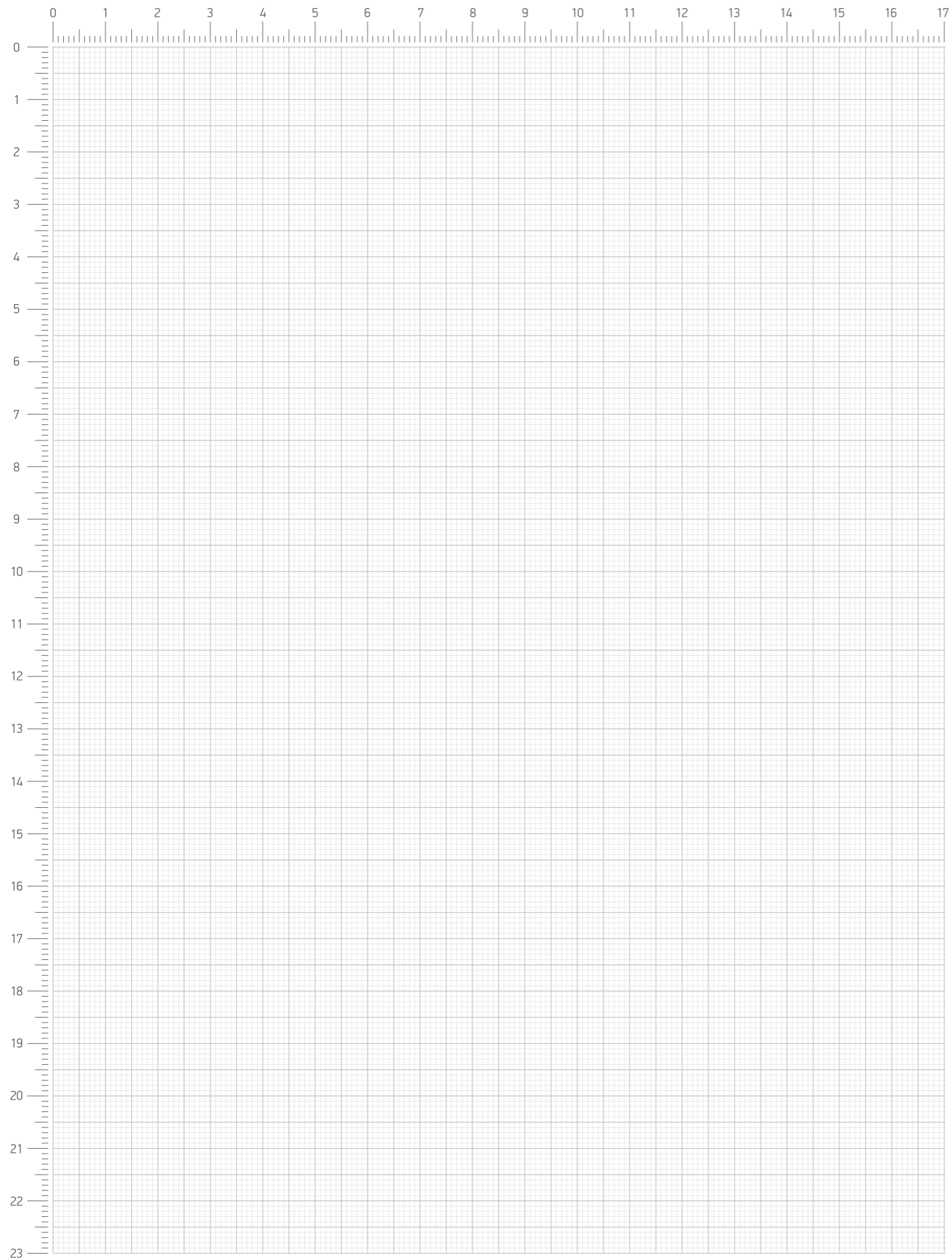
- Die Anforderungen an das Kabeltragsystem im Hinblick auf die Belastung, die Menge, die Trassenführung, die Stützabstände und die Oberflächenbeschichtung bestimmen die Auswahl des Trassentyps. Es sind Leichttrassen, Schwerlasttrassen und Kabelleitern erhältlich.

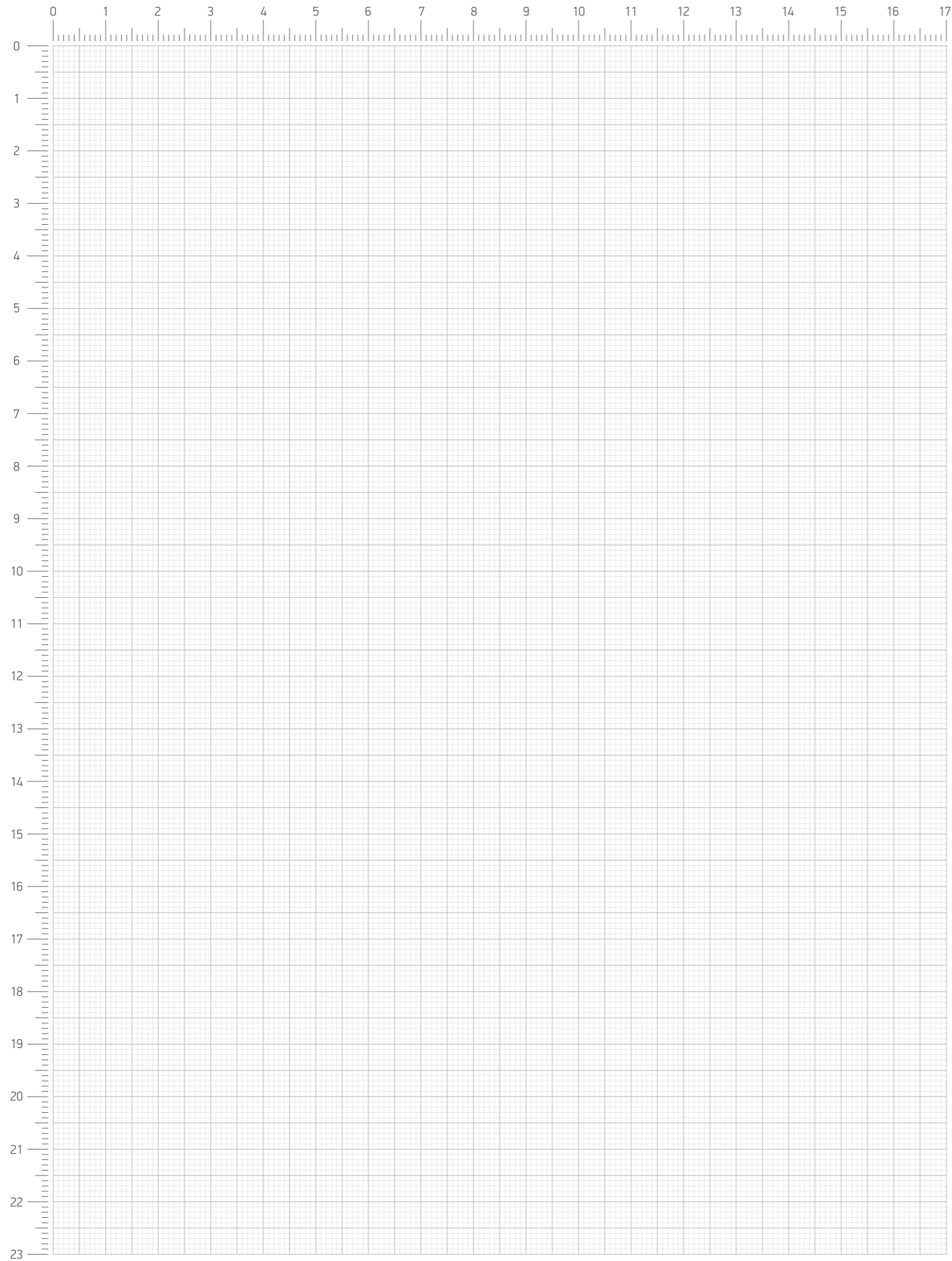
- Die Montage-Systeme erlauben Decken- oder Wandmontagen mit Schienen, Gewindestangen, Auslegern oder Ketten. Der Stützabstand hängt von der Art der Montage, der Art der Kabelrinne und der aufzubringenden Last ab. Der Stützabstand darf nie größer sein, als die längste Kabelrinne.

- Die Anzahl der Kabelclips hängt von der jeweiligen Rinnenart ab:

- Für Rinnen 3000 mm - 6 Stück*
- Für 90°Kurven - 3 Stück*
- Für Steig-/Fallstücke - 4 Stück*
- Für T-Stücke - 3 Stück*
- Für Kreuzungen - 4 Stück*

- Für die Befestigung der Abhängungen bis zu einer Länge von 300mm werden Dübel M8 und ab 300mm Länge Dübel M10 empfohlen.





www.kiracmetal.com

INNOVATRAY®



 : Organize Sanayi Bölgesi Şehitler Bulvarı No:21 Eskişehir-Türkiye

 : +90 [222] 236 15 00

 : +90 [222] 236 21 08

 : metal@kiracmetal.com

www.kiracmetal.com